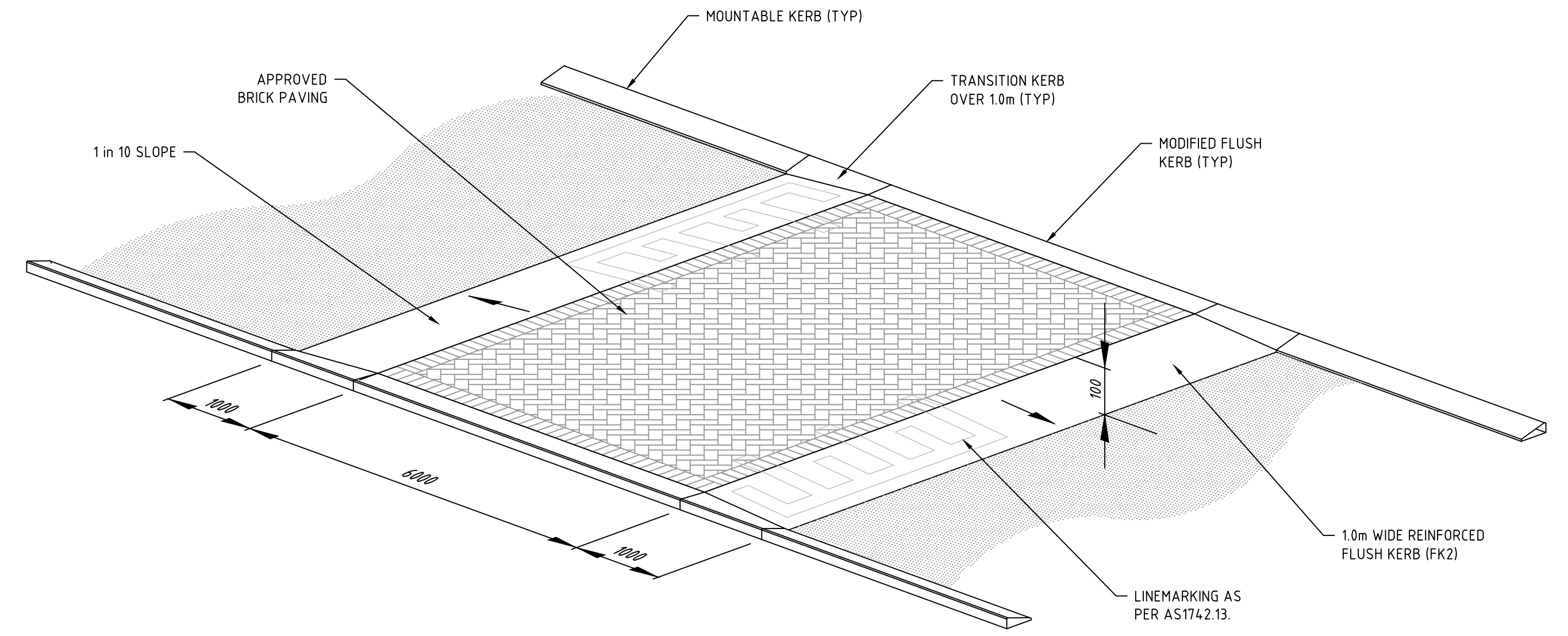
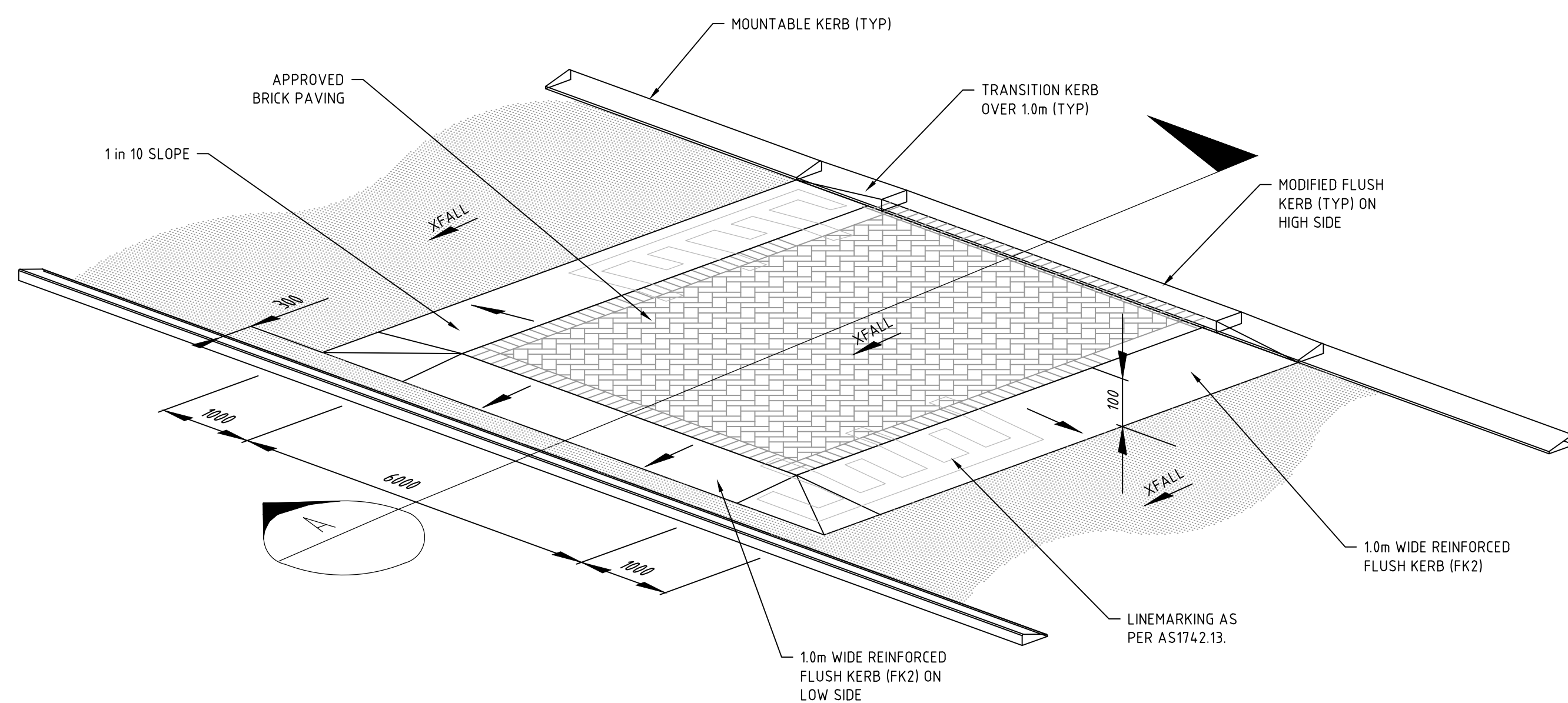


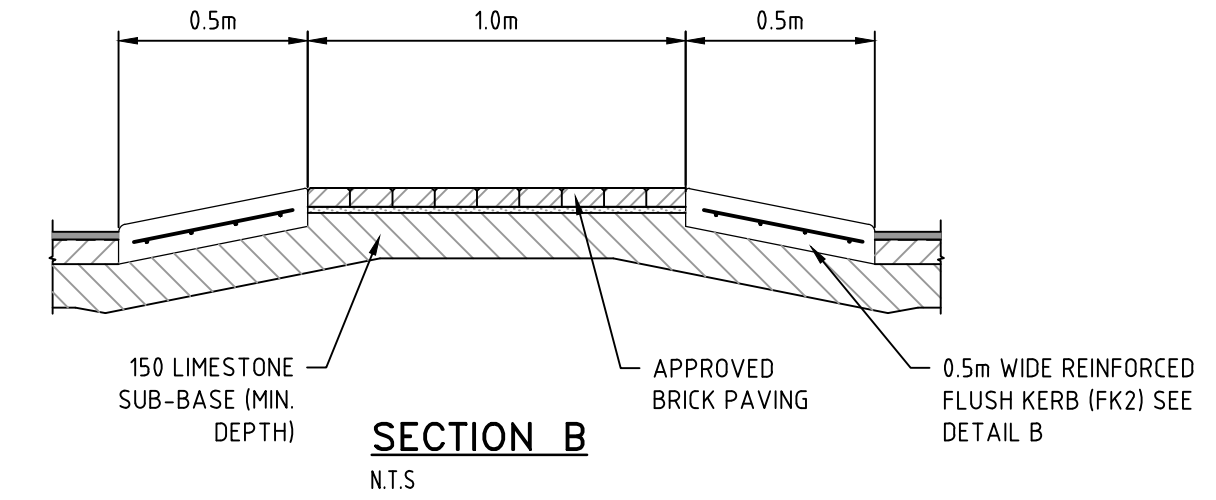
**FLAT TOP SPEED PLATEAU – TYPE 1**  
N.T.S



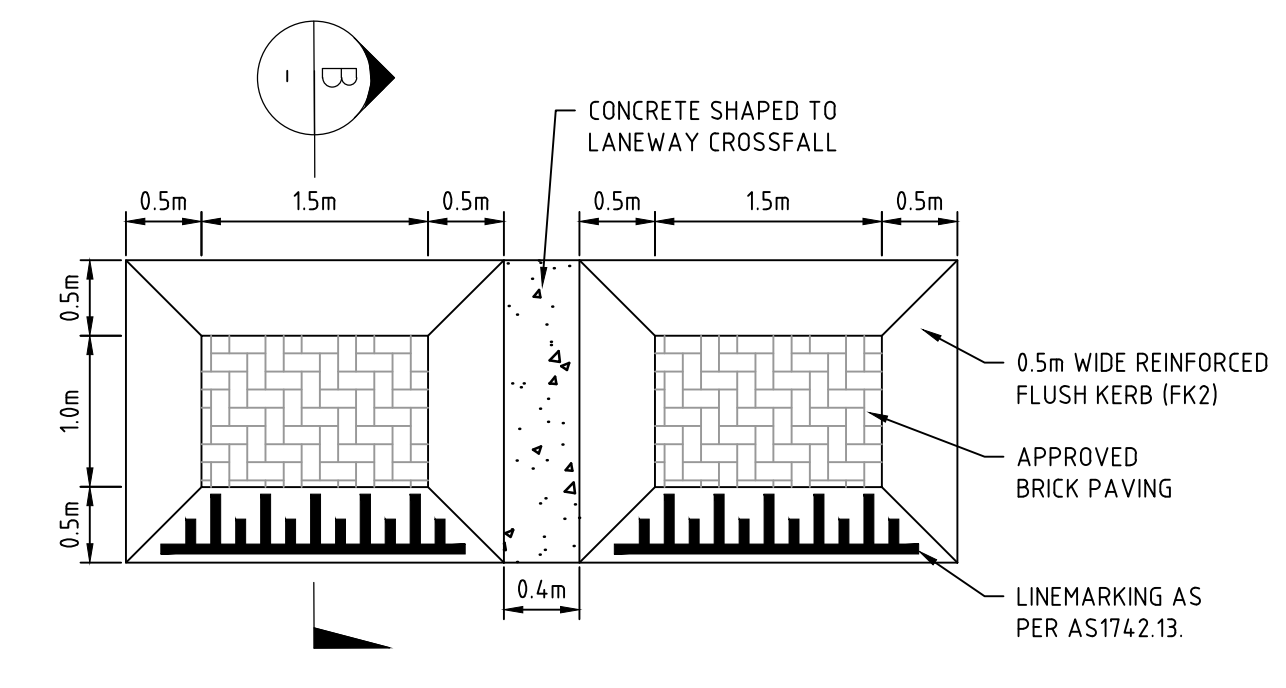
**FLAT TOP SPEED PLATEAU – TYPE 2**  
N.T.S



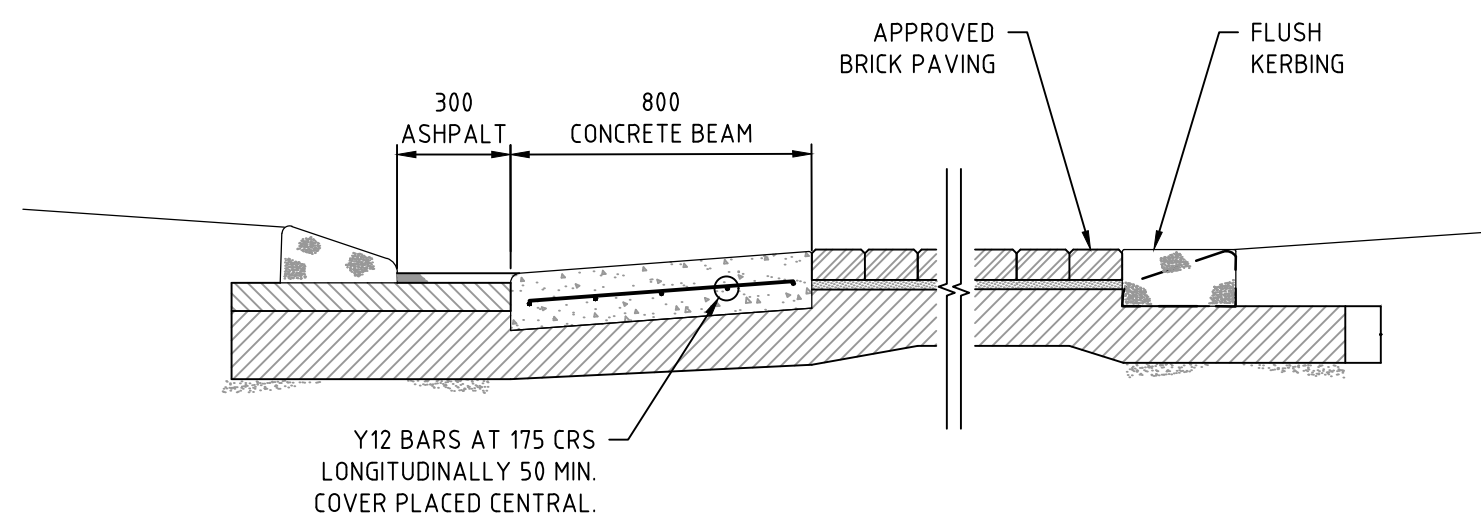
**FLAT TOP SPEED PLATEAU – TYPE 3**  
N.T.S



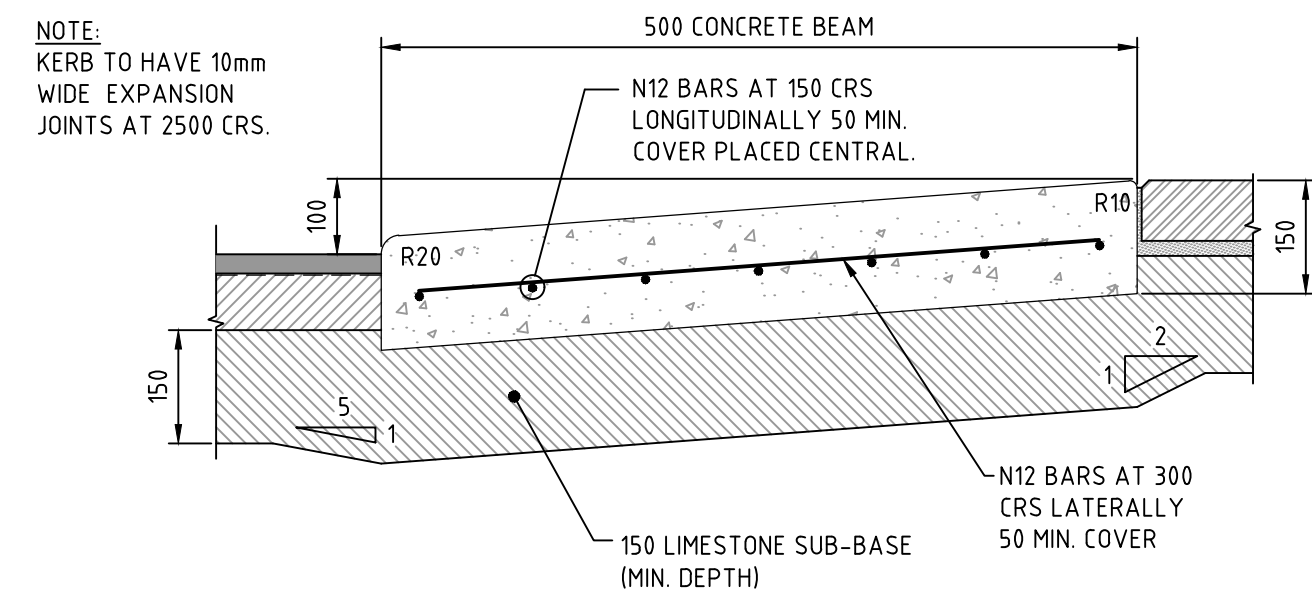
**SECTION B**  
N.T.S



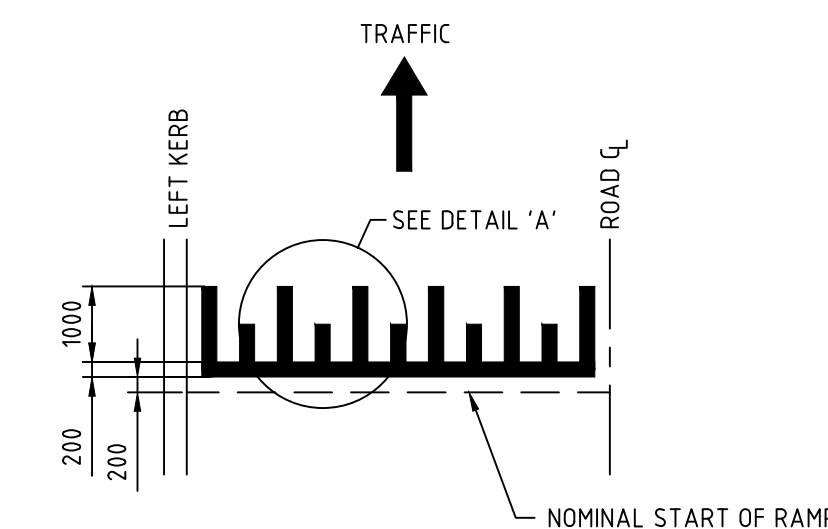
**SPEED PLATEAU FOR LANEWAYS**  
N.T.S



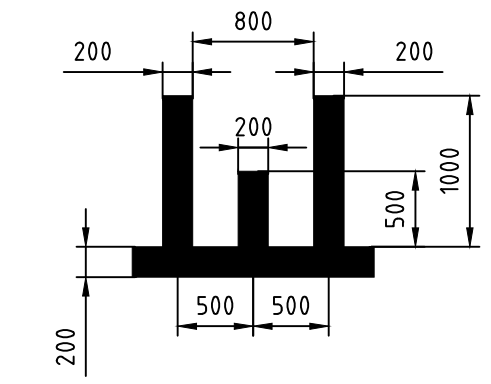
**SECTION A**  
N.T.S



**DETAIL B – REINFORCED FLUSH KERB/EDGE BEAM (FK2)**  
N.T.S



**PIANO MARKING DETAIL**  
(4 YEAR LIFE) N.T.S



**DETAIL A**  
N.T.S

REV	DATE	DESCRIPTION	DRAWN
C	05/17	PIANO MARKING DETAILS ADDED & SECTION A AMENDED TO INCLUDE FULL WIDTH OF PLATEAU	J.M
B	09/12	CITY OF KWINANA LOGO ADDED	J.M
A	08/11	ADOPTED BY TOWN OF KWINANA	V.B

ASSOCIATE CONSULTANT:	
-----------------------	--



PROJECT:	<b>STANDARD DETAILS TYPICAL SPEED PLATEAU</b>	
PHONE:	(08) 9439 0200	ADDRESS: Cnr Gilmore Avenue and Sulphur Road, Kwinana WA 6167
FAX:	(08) 9439 0222	
EMAIL:	admin@kwinana.wa.gov.au	
WEB:	http://www.kwinana.wa.gov.au	

SCALE:	<b>AS SHOWN (A1)</b>
DESIGN:	S.S
CHECK:	R.N
DRAWN:	J.M
DATE:	05/17
AUTHORISED (MANAGER ENGINEERING SERVICES)	
R.NAJAFZADEH	

DRAWING TITLE	
<b>STANDARD DETAILS TYPICAL SPEED PLATEAU</b>	
FILE NO.:	
DRAWING NUMBER	REVISION
<b>STD-R08</b>	<b>C</b>