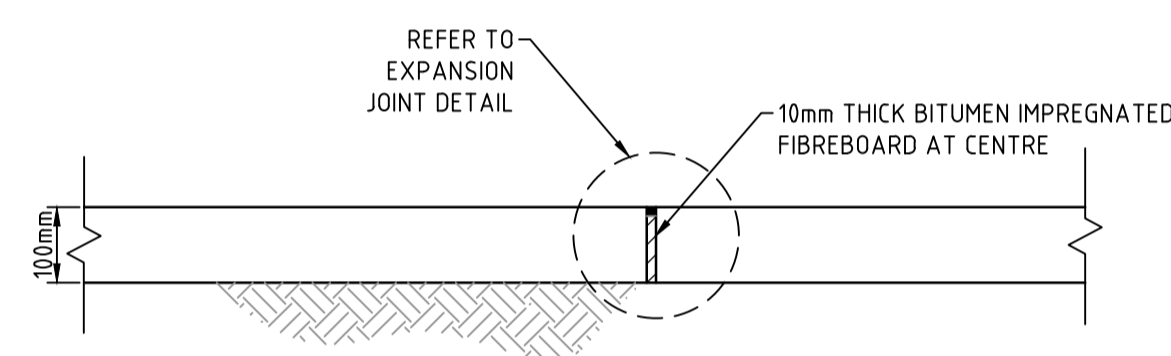
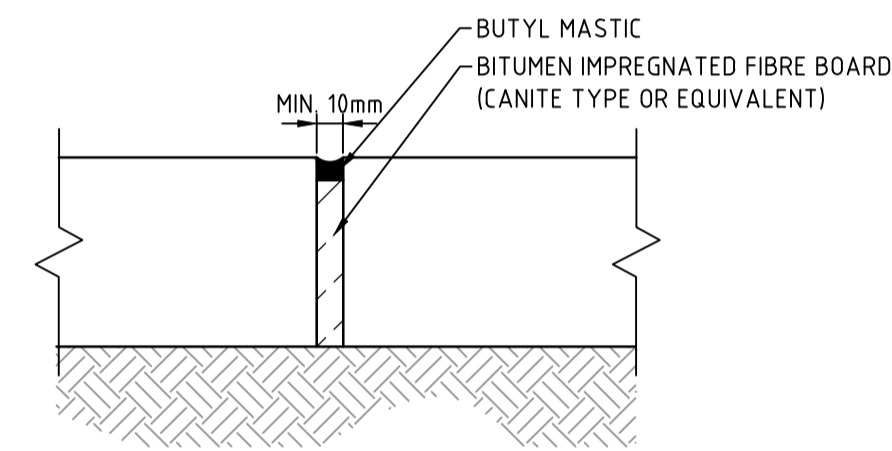


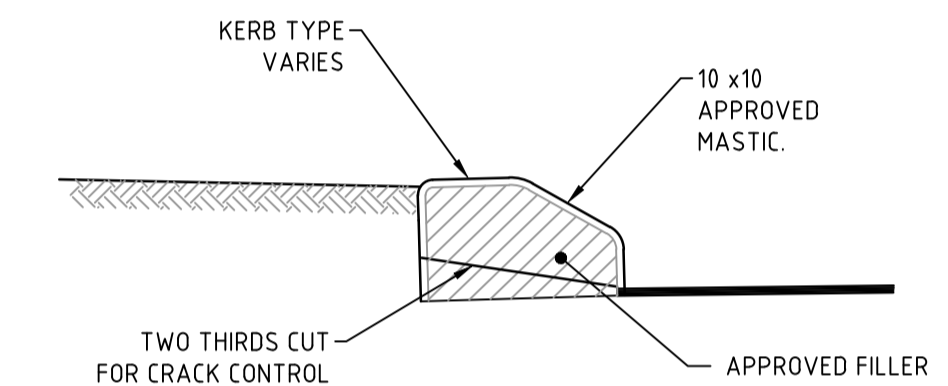
PLAN ON EXPANSION JOINT DETAIL
N.T.S.



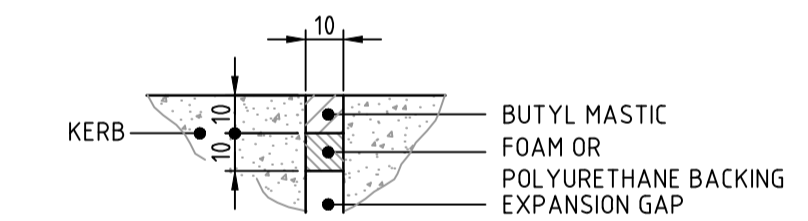
EXPANSION JOINT
SCALE 1:10



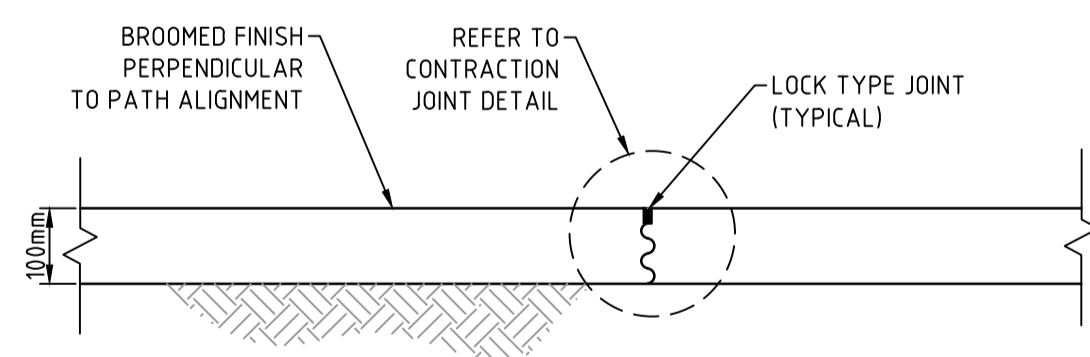
EXPANSION JOINT DETAIL
SCALE 1:4



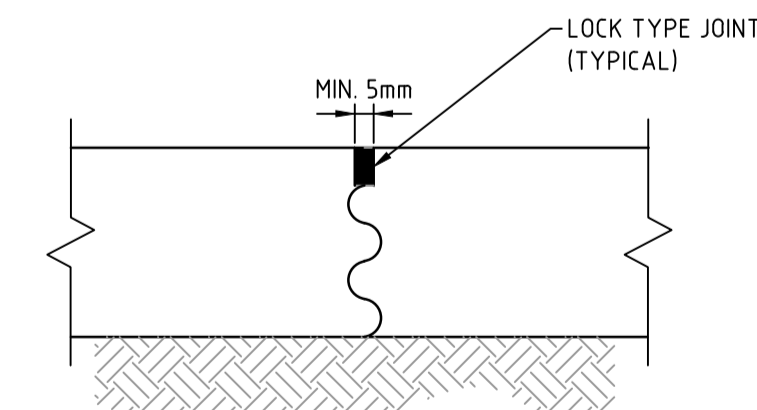
SECTION A
N.T.S.



KERB EXPANSION JOINT DETAIL
N.T.S.



CONTRACTION JOINT
SCALE 1:10



CONTRACTION JOINT DETAIL
SCALE 1:4

NOTES:

- ALL FOOTPATHS TO BE A MINIMUM 1.5m WIDE AND ALL SHARED PATHS TO BE A MINIMUM 2.0m WIDE UNLESS ADVISED OTHERWISE BY THE CITY.
- CONTRACTION JOINTS TO BE LOCK JOINT TYPE OR AS OTHERWISE APPROVED BY THE CITY. GROOVING OF CONCRETE IS NOT ALLOWED.
- EXPANSION JOINTS TO BE PLACED AT 4.0m INTERVALS, TANGENT POINTS, END OF DAY WORKS AND AROUND ALL SERVICES AND WHERE THE PATH JOINS KERB RAMPS AND VEHICLE CROSSINGS.
- CONCRETE TO ACHIEVE A MINIMUM 25MPa COMPRESSIVE STRENGTH AT 28 DAYS. A MINIMUM NOMINAL SIZE AGGREGATE OF 14mm, A MAXIMUM OF 20mm AND A SLUMP OF 75mm.
- FOOTPATH THICKNESS TO BE 100mm MINIMUM.
- KERB ALIGNED PATH JOINTS TO MATCH KERB JOINTS - WHERE POSSIBLE.
- REFER TO STANDARD DRAWING NUMBER STD-R07 FOR TYPICAL FOOTPATH DETAILS AND DRAWING NUMBER STD-R04 FOR TYPICAL PEDESTRIAN RAMP DETAILS.

REV	DATE	DESCRIPTION	DRAWN
D	05/17	KERB EXPANSION JOINT DETAILS & SECTION ADDED	J.M
C	07/16	EXPANSION JOINT TYPES & SPACING INTERVALS AMENDED	J.M
B	09/12	CITY OF KWINANA LOGO ADDED	J.M
A	04/09	ADOPTED BY TOWN OF KWINANA	V.K

ASSOCIATE CONSULTANT:



PROJECT: **STANDARD DETAILS**
EXPANSION JOINT & LOCK JOINT DETAILS

PHONE: (08) 9439 0200
FAX: (08) 9439 0222
EMAIL: admin@kwinana.wa.gov.au
WEB: http://www.kwinana.wa.gov.au

ADDRESS: Cnr Gilmore Avenue and Sulphur Road, Kwinana WA 6167

SCALE: **AS SHOWN (A1)**

DESIGN: S.S
CHECK: R.N
DRAWN: J.M
DATE: 05/17

AUTHORISED (MANAGER ENGINEERING SERVICES)
R.NAJAFZADEH

DRAWING TITLE: **STANDARD DETAILS**
EXPANSION JOINT & LOCK JOINT DETAILS

FILE NO.: **ENG03**

DRAWING NUMBER: **STD-R05**

REVISION: **D**