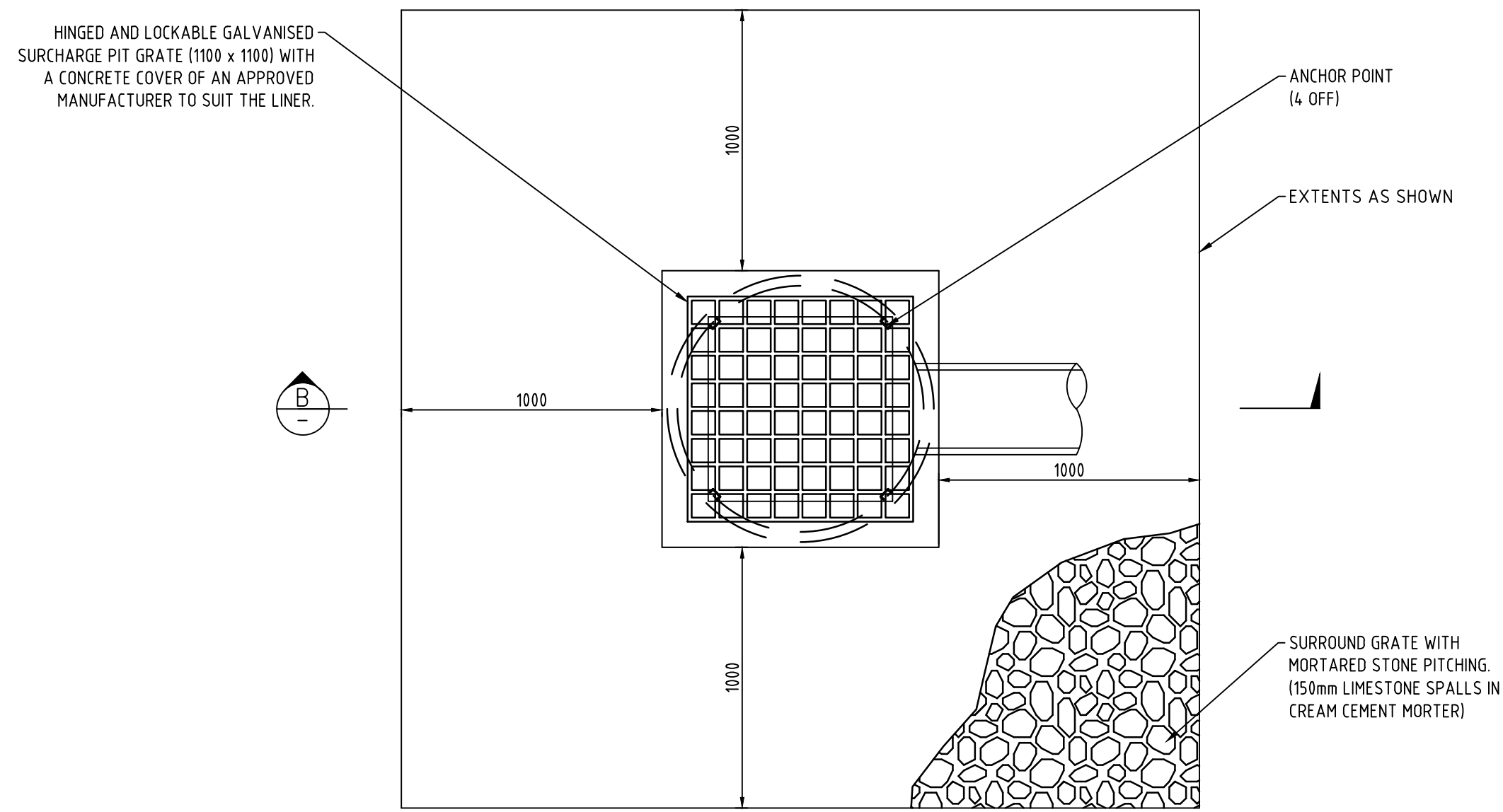
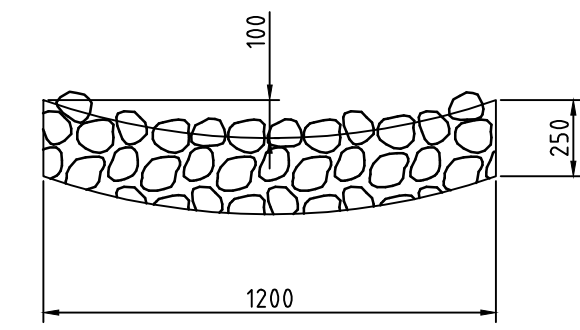


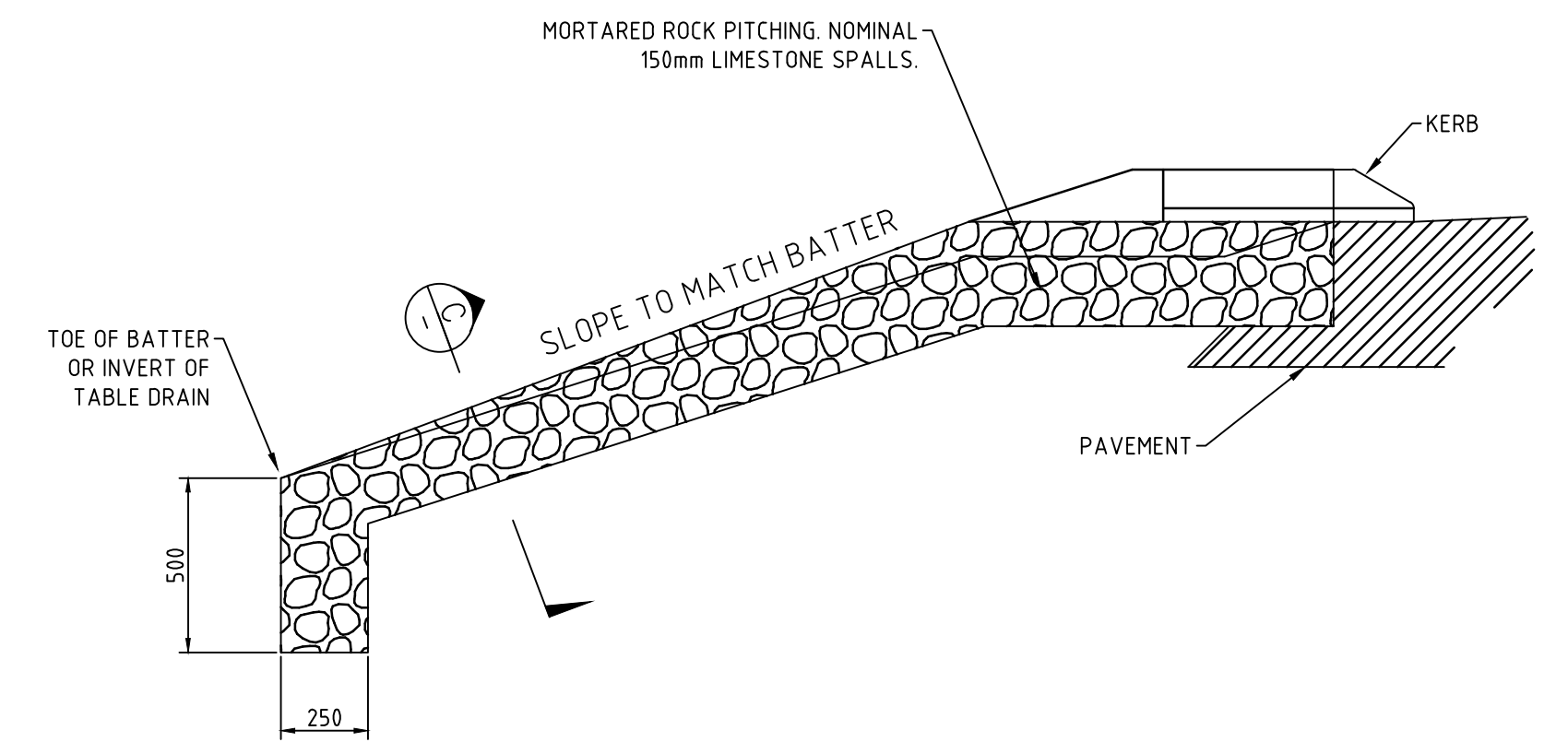
**BUBBLE-IN PLAN**  
N.T.S.



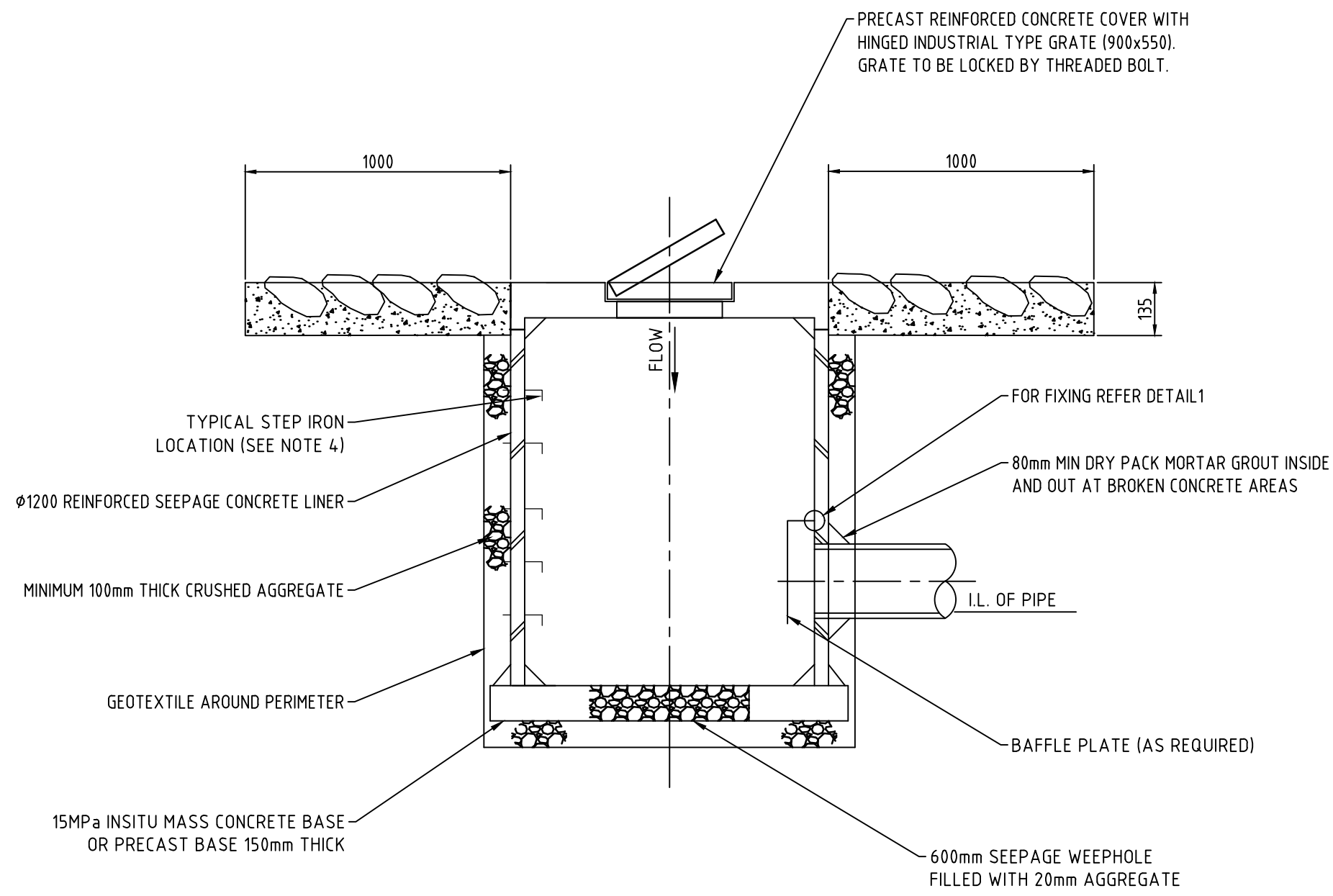
**BUBBLE-UP PLAN**  
N.T.S.



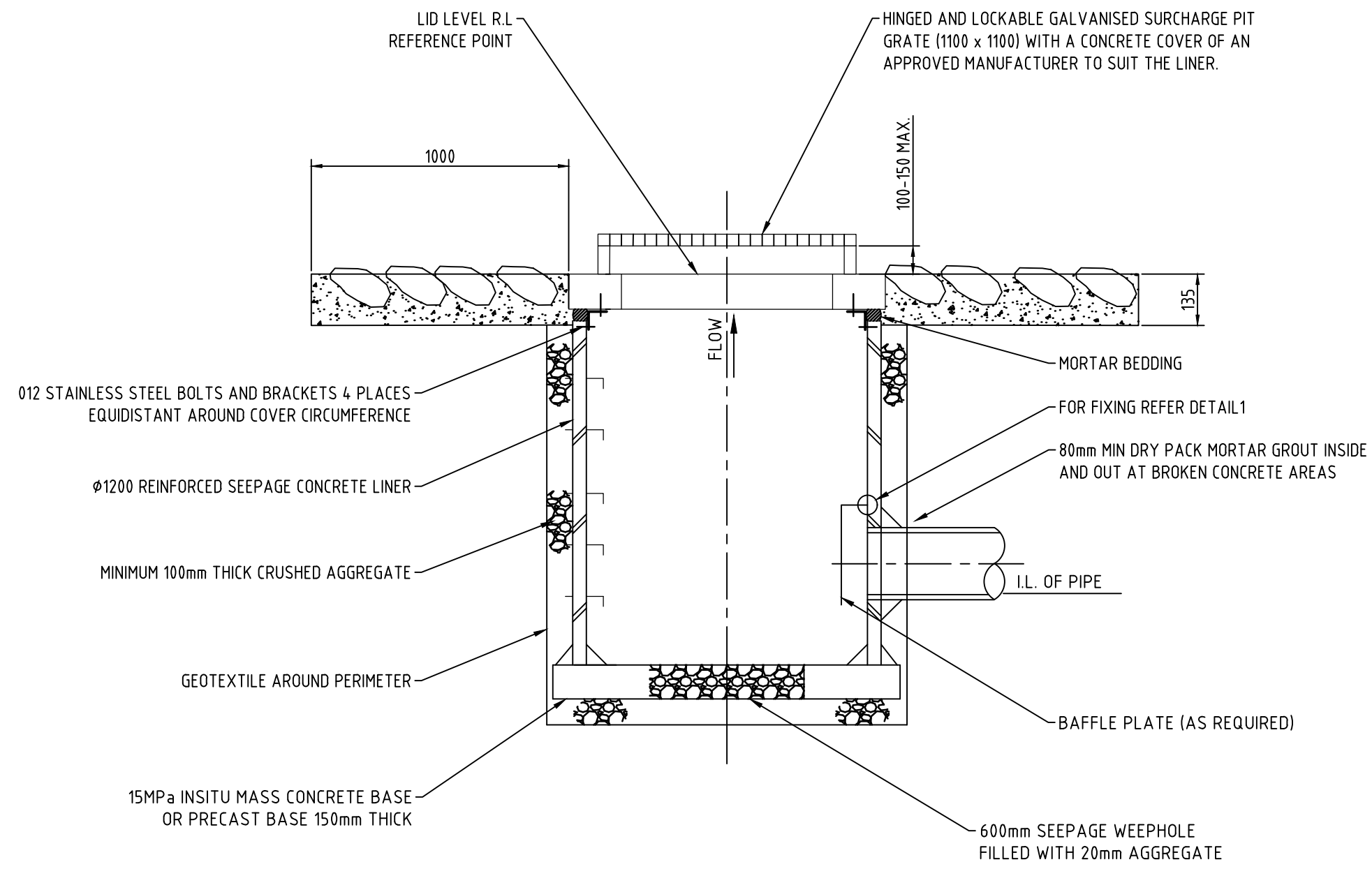
**SECTION-C**  
N.T.S.



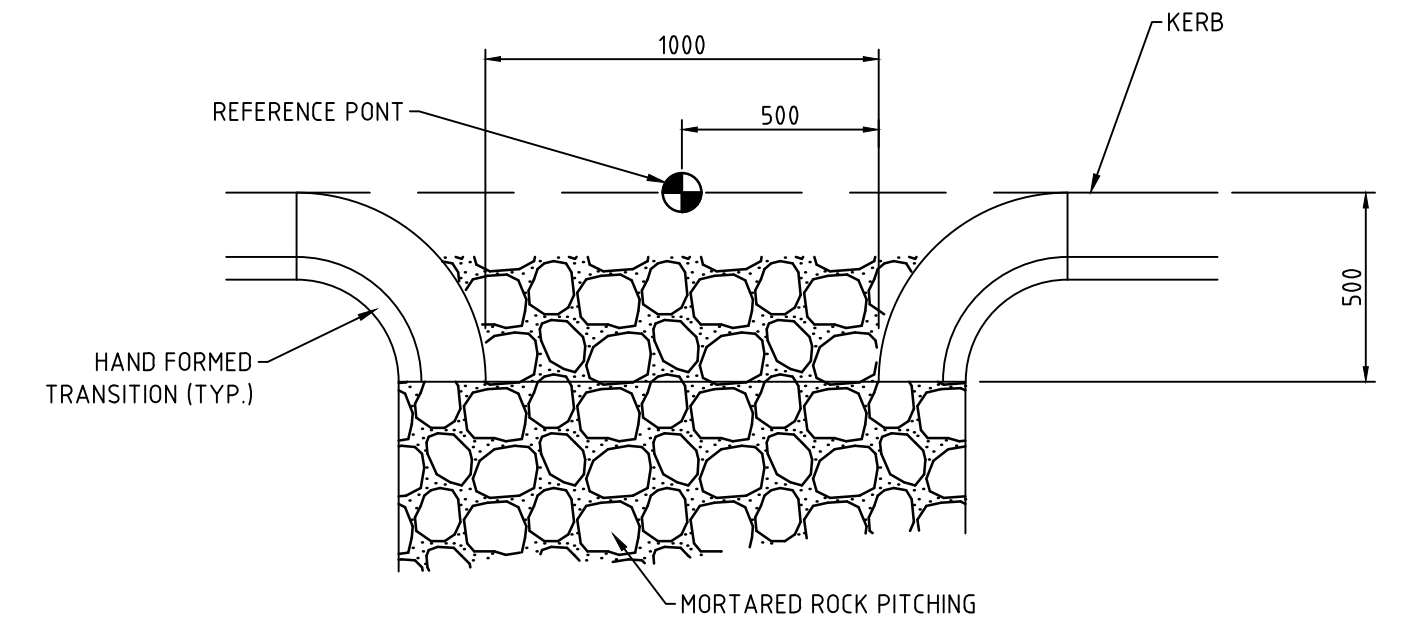
**PROFILE ROCK PITCHING AT KERB OPENINGS AND ENDS**  
N.T.S.



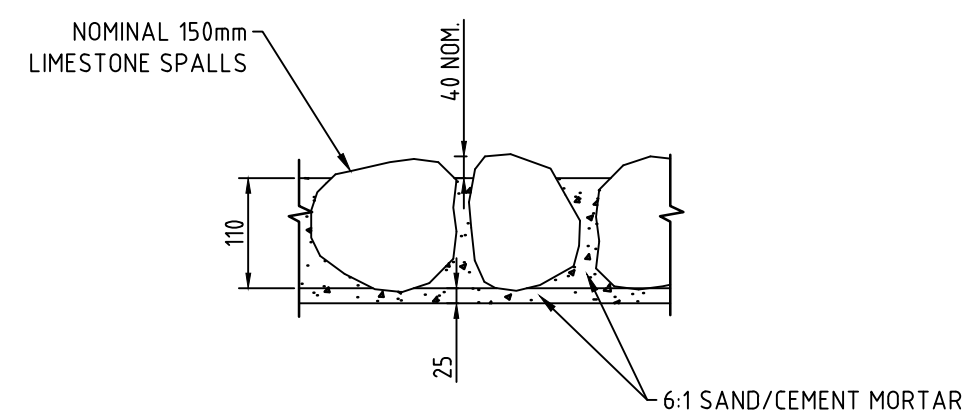
**SECTION-A**  
N.T.S.



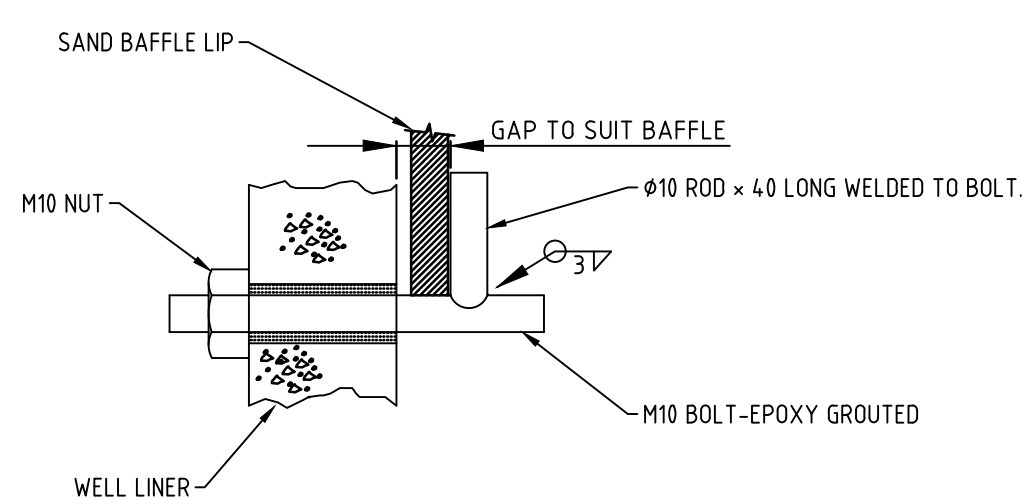
**SECTION-B**  
N.T.S.



**KERB OPENING PLAN**  
N.T.S.



**TYPICAL MORTARED ROCK PITCHING DETAIL**  
N.T.S.



**DETAIL-1**  
N.T.S.

**NOTES:**

1. CONCRETE TO BE 20mm NOM AGGREGATE AND HAVE A MINIMUM COMPRESSIVE STRENGTH AT 28 DAYS OF 20MPa FOR INSITU BASE AND 40MPa FOR PRECAST UNITS.
2. ALL COMPONENTS SHALL BE DESIGNED TO ACCEPT LOADINGS IN ACCORDANCE WITH AS3725 AND MANUFACTURER'S GUIDELINES.
3. IN HIGH GROUNDWATER AREAS THE BASE AND PIT MUST BE SEALED AND BENCHED.
4. STEP IRONS TO BE INSTALLED IN PITS WHERE THE DEPTH FROM COVER TO TOP OF BASE EXCEEDS 1200mm.
5. PIPE JOINTS WITHIN 1.0m OF PIT TO BE SEALED.
6. SUBGRADE TO BASE TO BE COMPACTED TO 95% M.M.D.D. PRIOR TO PLACING OF BASE.
7. BACKFILL SURROUNDING PIT TO BE TO 95% M.M.D.D.
8. ALL PITS TO HAVE 600mm WEEP HOLE, UNLESS IN HIGH GROUND WATER AREAS, SEE NOTE 3.
9. A MAXIMUM OF THREE PIPE OPENINGS ARE ALLOWED IN ANY ONE JUNCTION PIT. A MINIMUM WALL WIDTH OF 250mm IS ALLOWED BETWEEN HOLES CUT FOR PIPE OPENINGS.
10. ALL PITS TO BE TRAPPED WITH MINIMUM 300mm DEPTH BELOW PIPE INVERT.
11. PIPES TO BE FINISHED FLUSH WITH INSIDE OF LINER AND MADE GOOD WITH MORTAR.

REV	DATE	DESCRIPTION	DRAWN
A	05/17	ADOPTED BY CITY OF KWINANA	J.M

ASSOCIATE CONSULTANT:	
-----------------------	--



PROJECT:	<b>STANDARD DETAILS</b> <b>BUBBLE UP &amp; ROCK PITCHING</b>
PHONE:	(08) 9439 0200
FAX:	(08) 9439 0222
EMAIL:	admin@kwinana.wa.gov.au
WEB:	http://www.kwinana.wa.gov.au
ADDRESS:	Cnr Gilmore Avenue and Sulphur Road, Kwinana WA 6167

SCALE:	<b>N.T.S. (A1)</b>
DESIGN:	<b>S.S</b>
CHECK:	<b>R.N</b>
DRAWN:	<b>J.M</b>
DATE:	<b>05/17</b>
AUTHORISED (MANAGER ENGINEERING SERVICES):	<b>R.NAJAFZADEH</b>

DRAWING TITLE:	<b>STANDARD DETAILS</b> <b>BUBBLE UP &amp; ROCK PITCHING</b>
FILE NO.:	<b>ENG03</b>
DRAWING NUMBER:	<b>STD-D07</b>
REVISION:	<b>A</b>