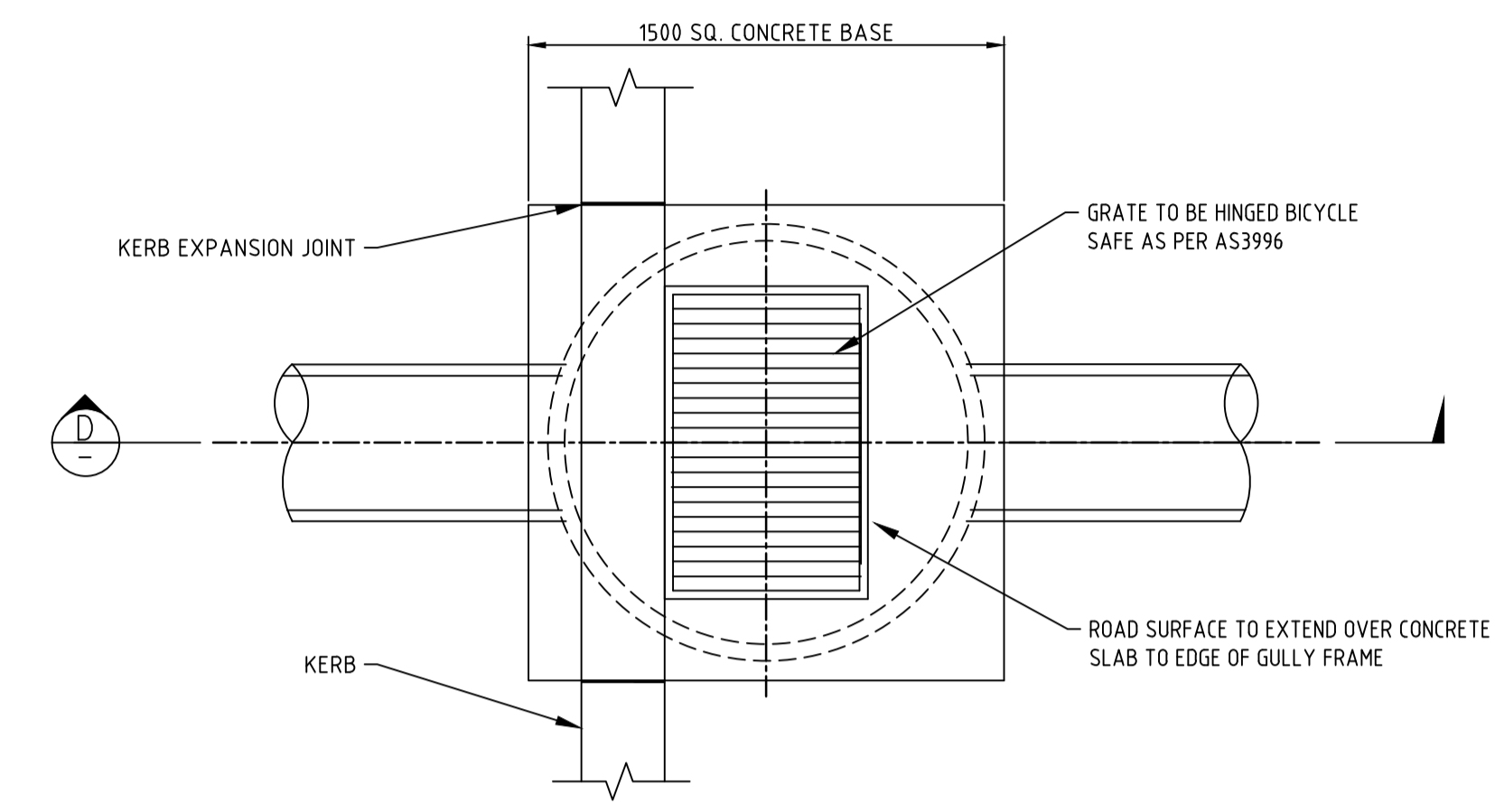
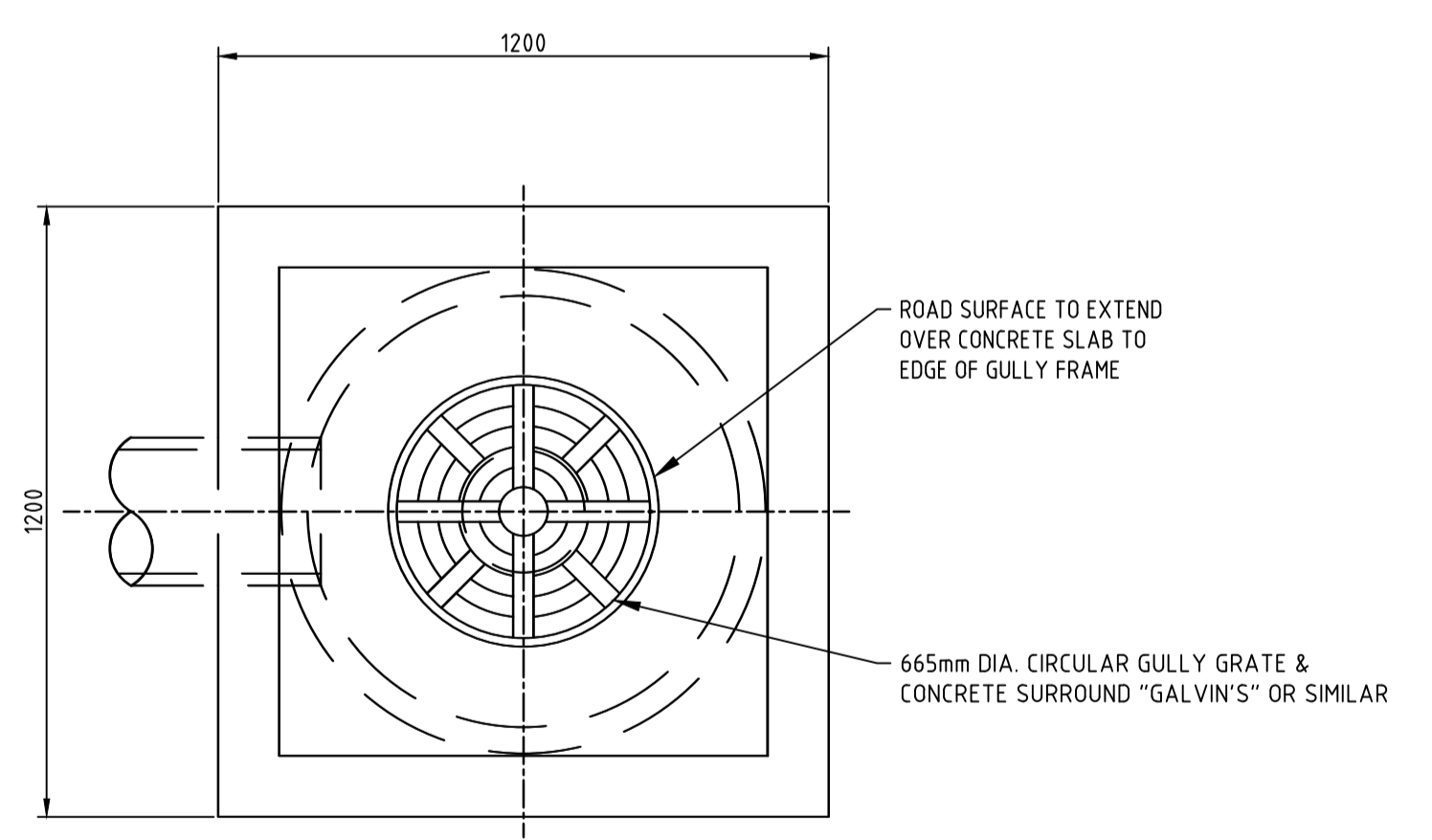


**SECTION-D**  
N.T.S.



**GULLY GRATE-PLAN VIEW**  
N.T.S.



**CIRCULAR GULLY PIT (USE IN LANEWAYS)**  
N.T.S.

**TABLE A**

PIPE SIZE	CHAMBER/LINER	'A'	'B'
φ225 - φ450	φ1050 ONLY	830	70
φ525 - φ675	φ1200 ONLY	900	0
φ750	φ1200	830	220
φ900	φ1500	830	370

THE ABOVE TABLE IS APPLICABLE WHERE PIPES INTERSECT AT CENTRE TO CENTRE AND AT 90°. OTHER ANGLES OF INTERSECTION MUST BE AS PER MANUFACTURER'S REQUIREMENTS.

**NOTES:**

- CONCRETE TO BE 20mm NOM AGGREGATE AND HAVE A MINIMUM COMPRESSIVE STRENGTH AT 28 DAYS OF 20MPa FOR INSITU BASE AND 40MPa FOR PRECAST UNITS.
- ALL GRATES SHALL BE TRAFFICABLE CLASS "D" IN ACCORDANCE WITH AS1554.1. ALL WELDS TO BE IN ACCORDANCE WITH AS1554.1 AND FRAMES TO BE GALVANISED IN ACCORDANCE WITH AS1650.
- MORTAR TO BE 3:1 SAND:CEMENT MIXTURE.
- STEP IRONS TO BE INSTALLED IN PITS WHERE THE DEPTH FROM COVER TO TOP OF BASE EXCEEDS 1200mm.
- SUBGRADE TO BASE TO BE COMPACTED TO 95% M.M.D.D PRIOR TO PLACING OF BASE.
- BACKFILL SURROUNDING PIT TO BE TO 95% M.M.D.D.
- ALL PITS TO HAVE 600mm WEEP HOLE.
- ALL PITS TO BE TRAPPED WITH MINIMUM 300mm DEPTH BELOW PIPE INVERT.
- PIPES TO BE FINISHED FLUSH WITH INSIDE OF LINER AND MADE GOOD WITH MORTAR.

REV	DATE	DESCRIPTION	DRAWN
A	05/17	ADOPTED BY CITY OF KWINANA	J.M

ASSOCIATE CONSULTANT:



PROJECT: **STANDARD DETAILS TYPICAL GULLY GRATE**

PHONE: (08) 94 39 0200 ADDRESS: Cnr Gilmore Avenue and Sulphur Road, Kwinana WA 6167

FAX: (08) 94 39 0222

EMAIL: admin@kwinana.wa.gov.au

WEB: http://www.kwinana.wa.gov.au

SCALE: **N.T.S (A1)**

DESIGN: **S.S** CHECK: **R.N**

DRAWN: **J.M** DATE: **05/17**

AUTHORISED (MANAGER ENGINEERING SERVICES): **R.NAJAFZADEH**

DRAWING TITLE: **STANDARD DETAILS TYPICAL GULLY GRATE**

FILE NO: **ENG03**

DRAWING NUMBER: **STD-D06** REVISION: **A**