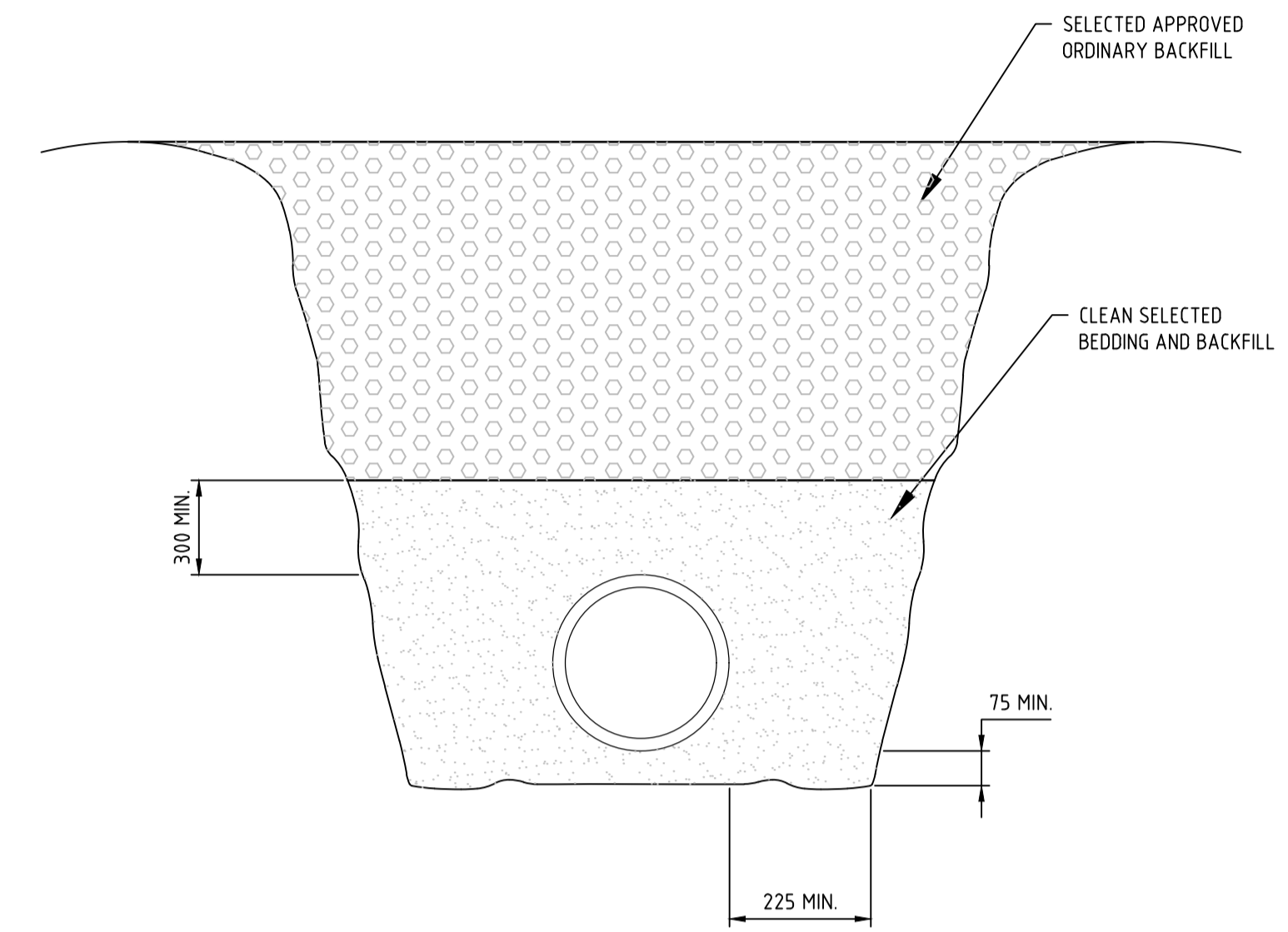
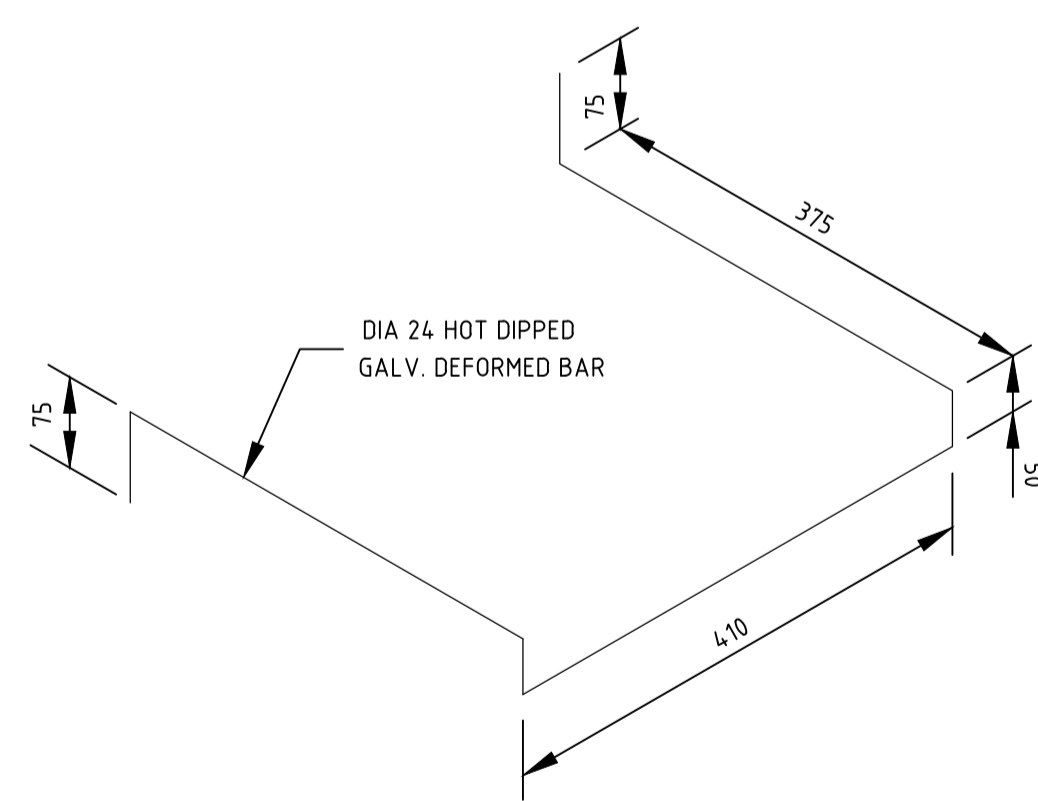


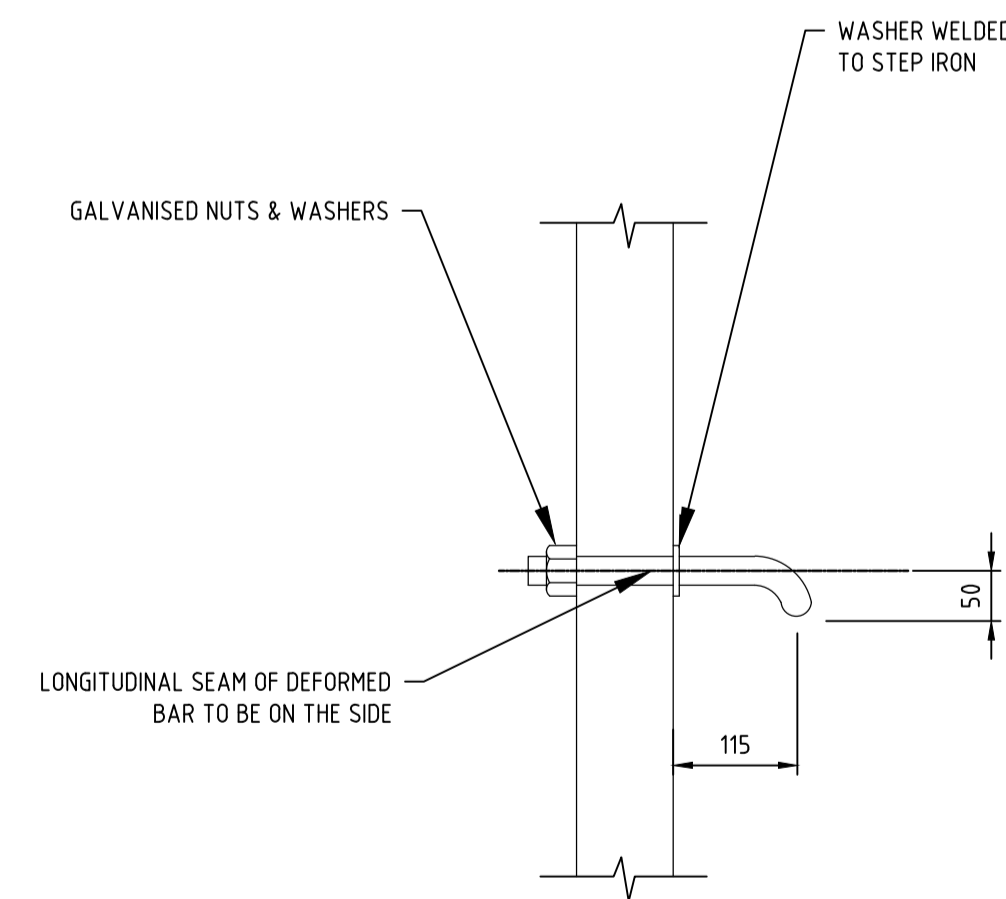
TYPICAL STORMWATER – SEWER CROSSING
N.T.S



TRENCH DETAILS
N.T.S

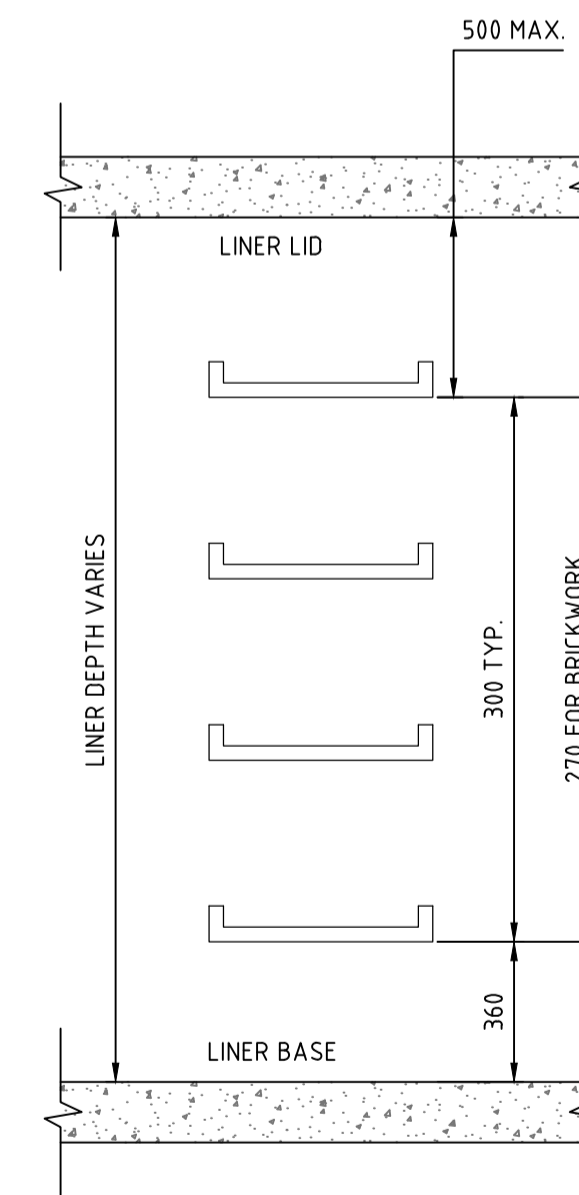


DETAIL – STEP IRON



SECTION THROUGH WALL

STEP IRON DETAILS
N.T.S



VERTICAL SPACING

NOTES:

1. PRIOR TO BACKFILLING THE TRENCH THE AREA SURROUNDING SERVICES SHALL BE CAREFULLY COMPACTED WITH HAND RAMMERS. THE MINIMUM DEPTH OF HAND COMPACTON ABOVE THE TOP OF PIPE SHALL BE NO LESS THAN 150mm.
2. COMPACTON OF THE REMAINING BACKFILL SHALL BE IN 150mm LAYERS. COMPACTON SHALL BE ACHIEVED BY MECHANICAL MEANS WITH WATER TO A DENSITY OF NOT LESS THAN 95% MDD WHEN TESTED IN ACCORDANCE WITH AS1289.5.2.1-1993 OR AT LEAST EQUAL TO THAT OF THE SURROUNDING UNDISTURBED ROAD MATERIAL. CRUSHED LIMESTONE PAVEMENT SHALL BE COMPACTED TO 95% MDD WHEN TESTED IN ACCORDANCE WITH AS1289.5.2.1-1993.
3. ALL DIMENSIONS IN MILLIMETRES
4. MINIMUM CLASS 2 RCP TO BE USED WITH MINIMUM COVER AS PER MANUFACTURERS SPECIFICATIONS.
5. ALL ROAD CROSSINGS WITH LESS THAN 600mm COVER TO BE CLASS 4 RCP.

REV	DATE	DESCRIPTION	DRAWN
C	05/17	STEP IRON DETAILS ADDED & DRAFTING AMENDMENTS MADE	J.M
B	09/12	CITY OF KWINANA LOGO ADDED	J.M
A	04/09	ADOPTED BY TOWN OF KWINANA	V.K

ASSOCIATE CONSULTANT:	
-----------------------	--

--	--

PROJECT:	STANDARD DETAILS DRAINAGE DETAILS
PHONE:	(08) 94 39 0200
FAX:	(08) 94 39 0222
EMAIL:	admin@kwinana.wa.gov.au
WEB:	http://www.kwinana.wa.gov.au
ADDRESS:	Cnr Gilmore Avenue and Sulphur Road, Kwinana WA 6167

SCALE:	N.T.S (A1)
DESIGN:	S.S
CHECK:	R.N
DRAWN:	J.M
DATE:	05/17
AUTHORISED (MANAGER ENGINEERING SERVICES):	R.NAJAFZADEH

DRAWING TITLE:	STANDARD DETAILS DRAINAGE DETAILS
FILE NO.:	ENG03
DRAWING NUMBER:	STD-D05
REVISION:	C