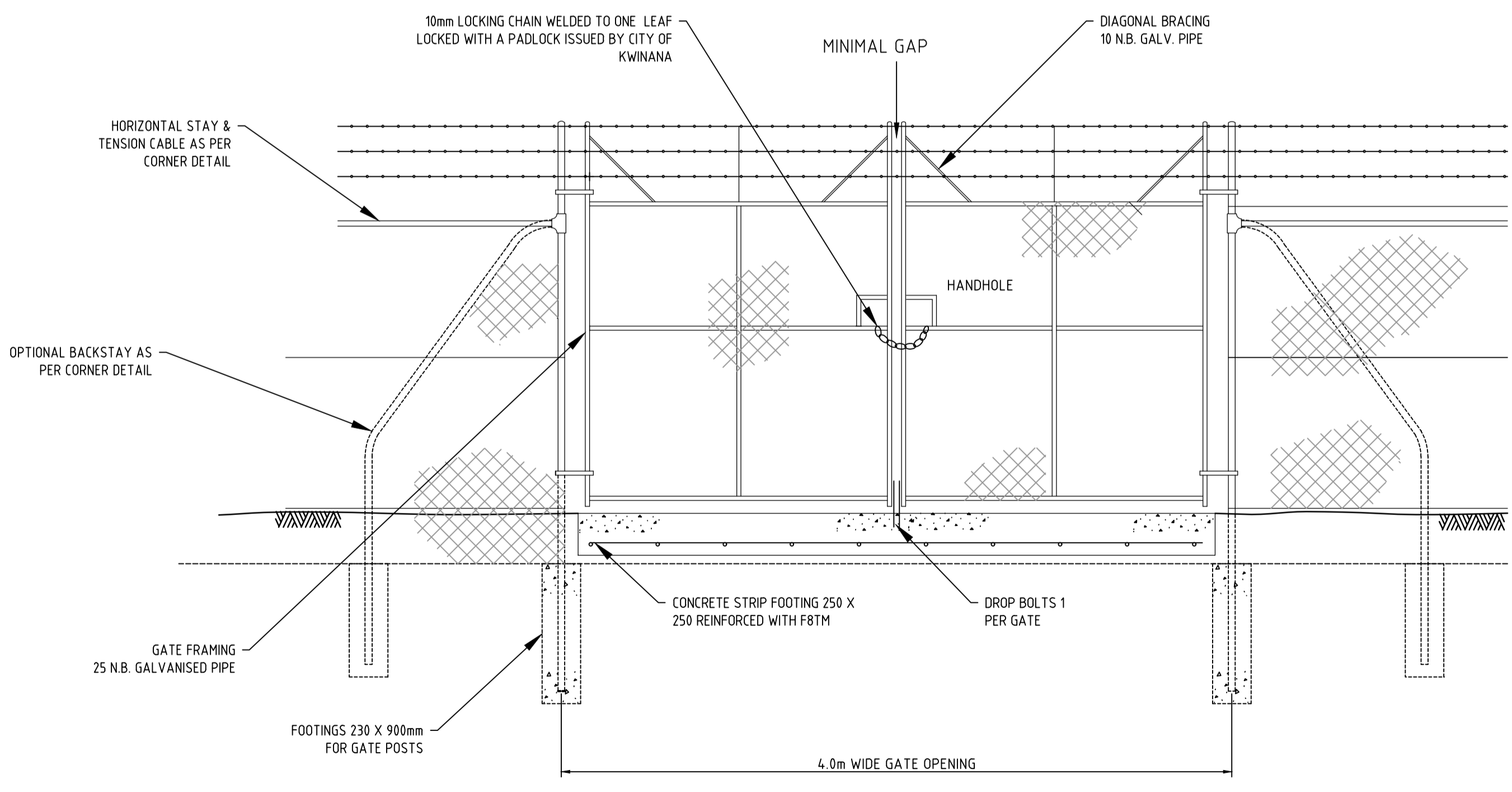
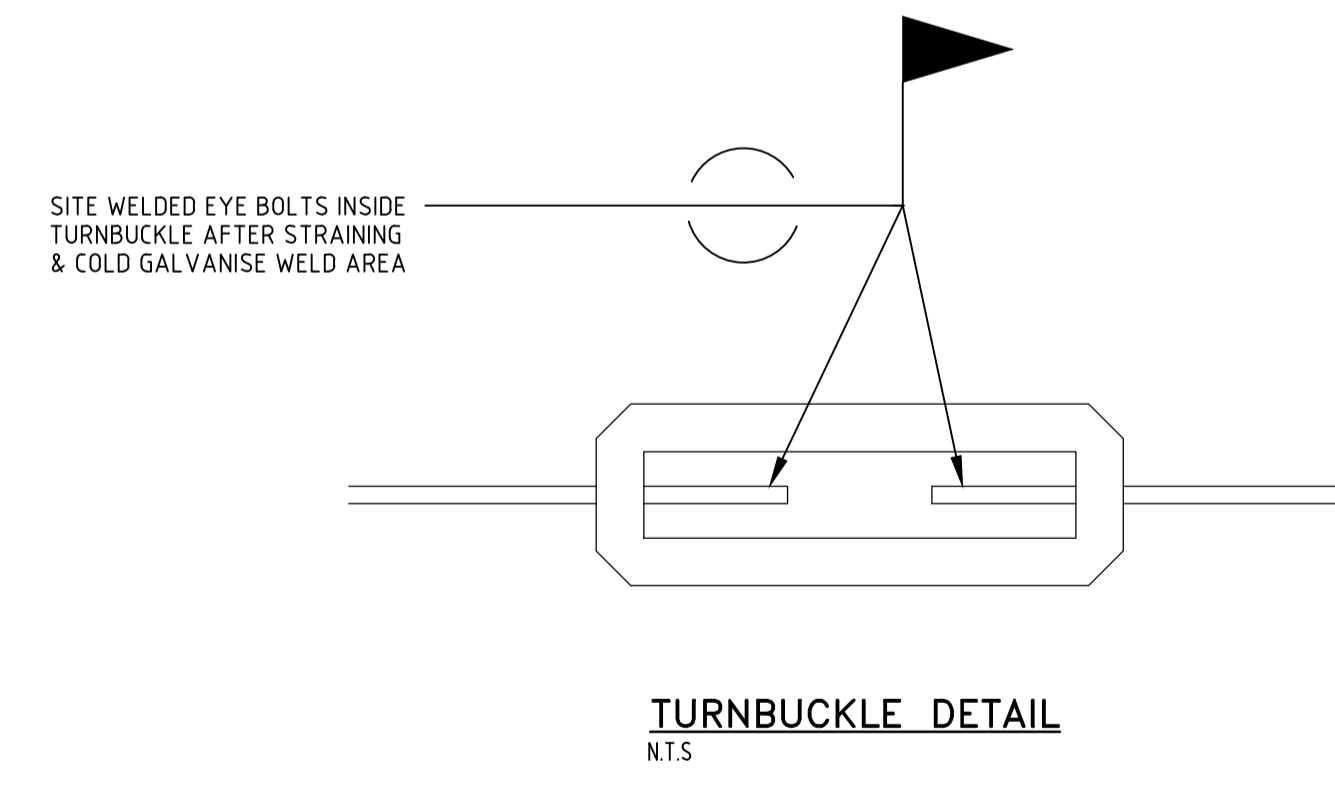


CORNER DETAIL
N.T.S.



GATE DETAIL
N.T.S.

REV	DATE	DESCRIPTION	DRAWN
E	05/17	DRAFTING AMENDMENTS MADE	J.M.
D	09/12	CITY OF KWINANA LOGO ADDED	J.M.
C	12/09	AMENDED PADLOCK NOTE	V.K.
B	12/09	CHANGED TITLE FROM SUMP GATE TO SUMP FENCING DETAILS	V.K.
A	04/09	ADOPTED BY TOWN OF KWINANA	V.K.

ASSOCIATE CONSULTANT:

PROJECT:

**STANDARD DETAILS
DRAINAGE SUMP FENCING**

PHONE: (08) 9439 0200 ADDRESS: Cnr Gilmore Avenue and Sulphur Road, Kwinana WA 6167
 FAX: (08) 9439 0222
 EMAIL: admin@kwinana.wa.gov.au
 WEB: http://www.kwinana.wa.gov.au

SCALE: **N.T.S (A1)**

DESIGN: S.S. CHECK: R.N.
 DRAWN: J.M. DATE: 05/17

AUTHORISED (MANAGER ENGINEERING SERVICES)

R.NAJAFZADEH

DRAWING TITLE: **STANDARD DETAILS
DRAINAGE SUMP FENCING**

FILE NO.: **ENG03**

DRAWING NUMBER: **STD-D04** REVISION: **E**