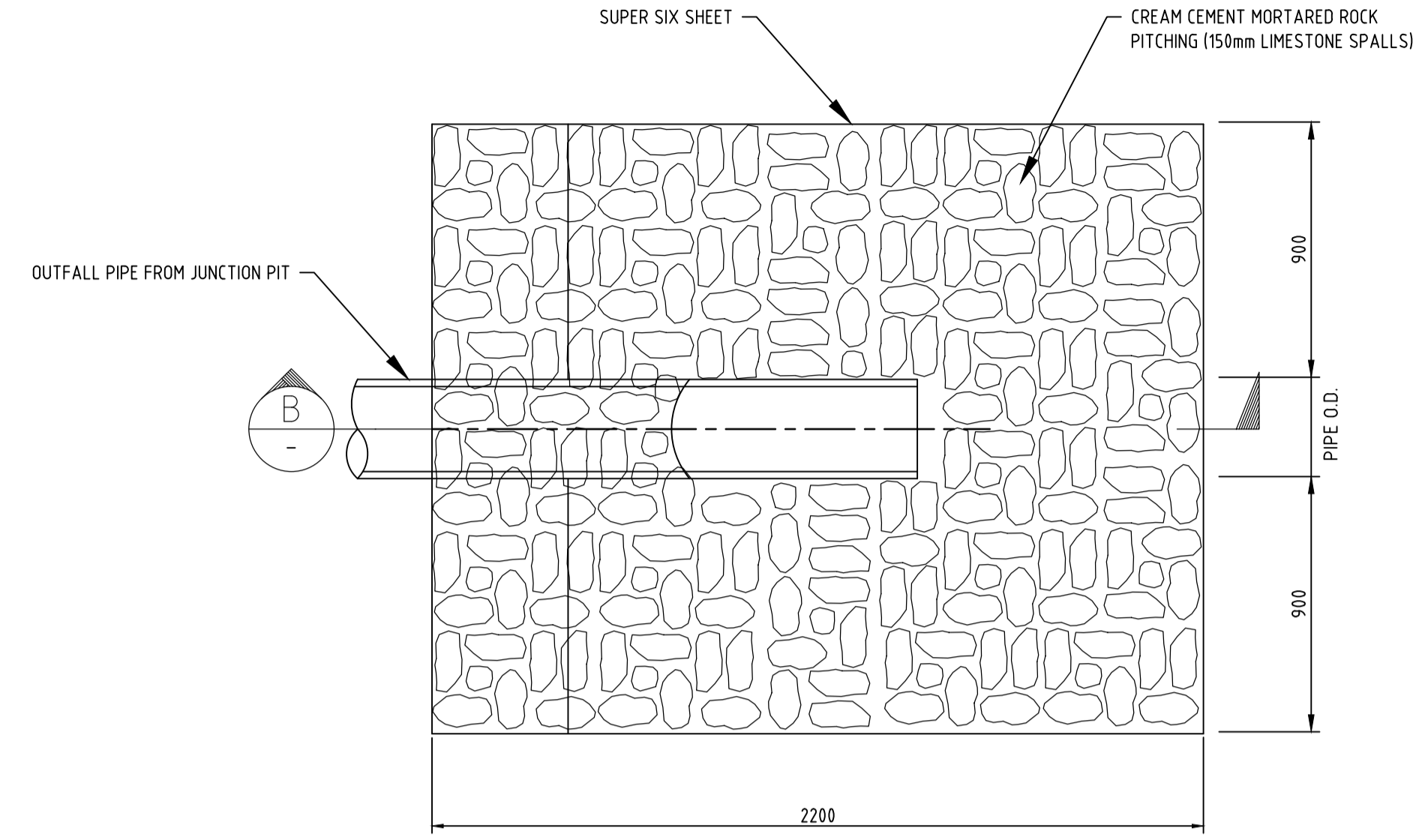
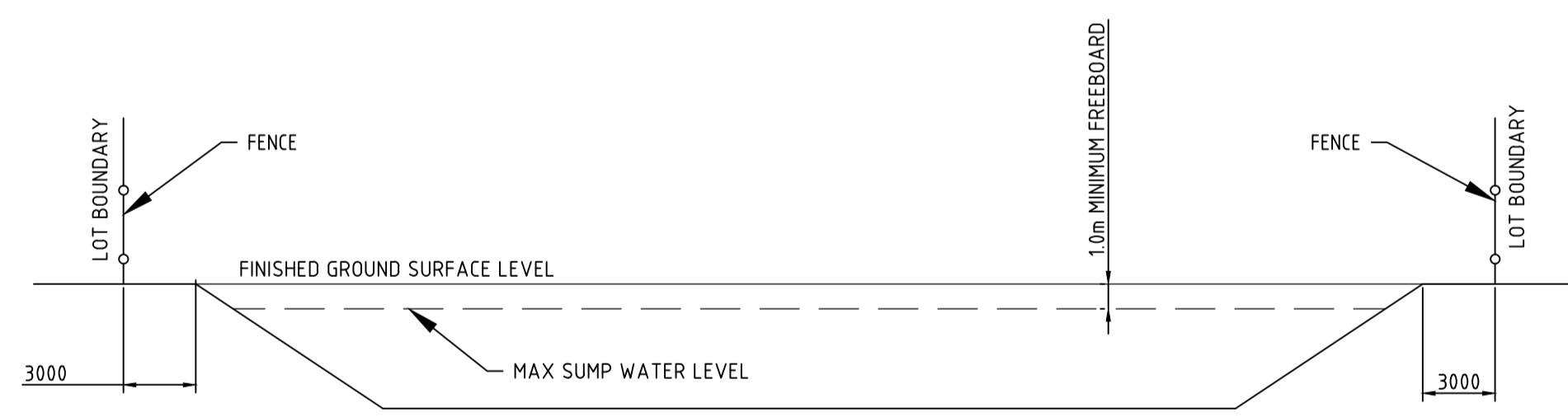


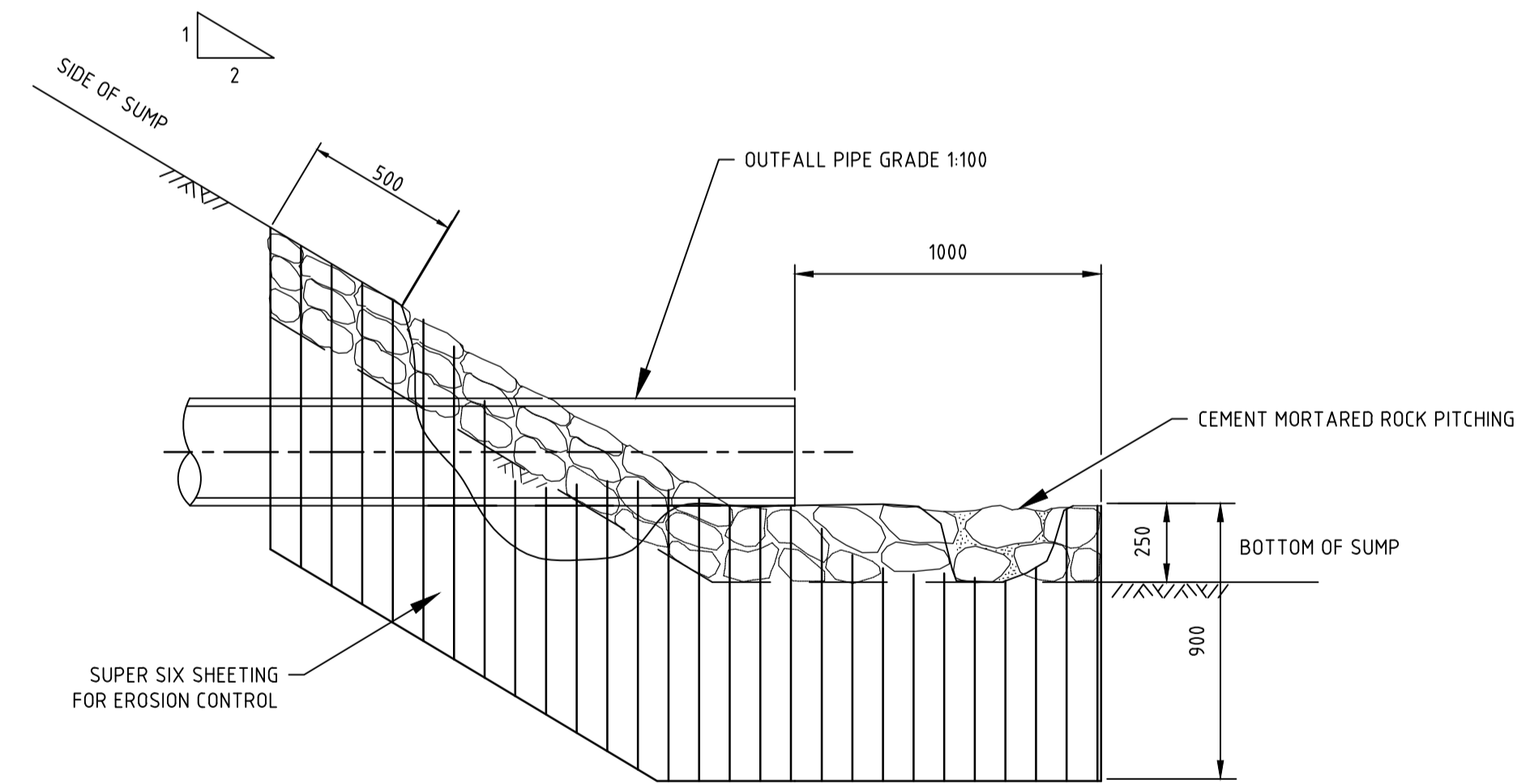
ABSORPTION SUMP PLAN
N.T.S



SUMP OUTFALL APRON PLAN
N.T.S



SECTION-A
N.T.S



SECTION-B
N.T.S

NOTES:

1. DIMENSIONS ARE IN MILLIMETRES.
2. PLACE FENCE ON BOUNDARY
3. BANKS AND TOP OF EDGE TO BE GRASS SEADED FOR STABILISATION

REV	DATE	DESCRIPTION	DRAWN
C	05/17	DRAFTING AMENDMENTS MADE	J.M
B	09/12	CITY OF KWINANA LOGO ADDED	J.M
A	04/09	ADOPTED BY TOWN OF KWINANA	V.K

ASSOCIATE CONSULTANT:	
-----------------------	--

--	--

PROJECT:	STANDARD DETAILS DRAINAGE SUMP
PHONE:	(08) 94 39 0200
FAX:	(08) 94 39 0222
EMAIL:	admin@kwinana.wa.gov.au
WEB:	http://www.kwinana.wa.gov.au
ADDRESS:	Cnr Gilmore Avenue and Sulphur Road, Kwinana WA 6167

SCALE:	N.T.S (A1)
DESIGN:	S.S
CHECK:	R.N
DRAWN:	J.M
DATE:	05/17
AUTHORISED (MANAGER ENGINEERING SERVICES)	
R.NAJAFZADEH	

DRAWING TITLE:	STANDARD DETAILS DRAINAGE SUMP
FILE NO.:	ENG03
DRAWING NUMBER:	STD-D03
REVISION:	C