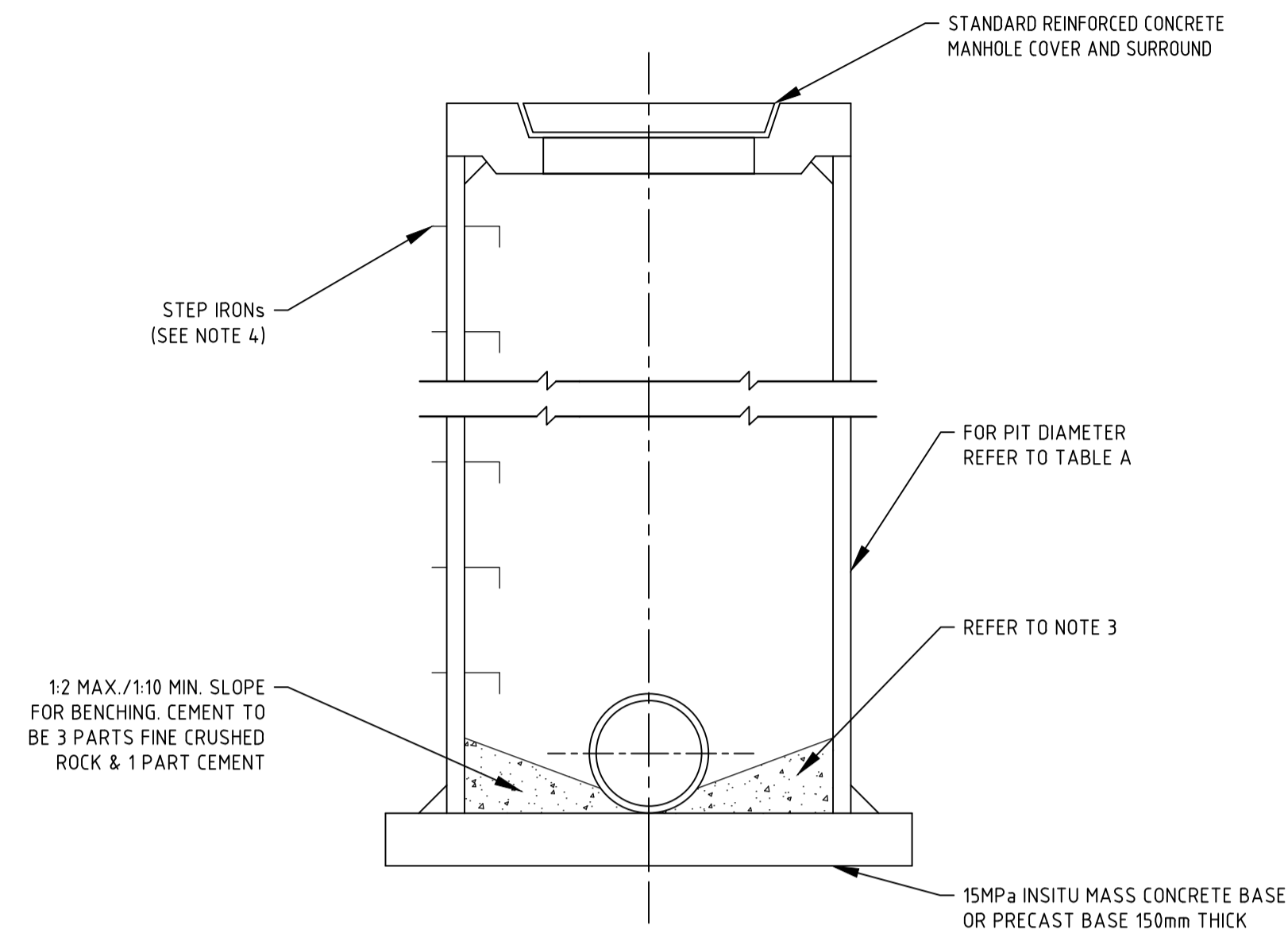


JUNCTION PIT PLAN
N.T.S.

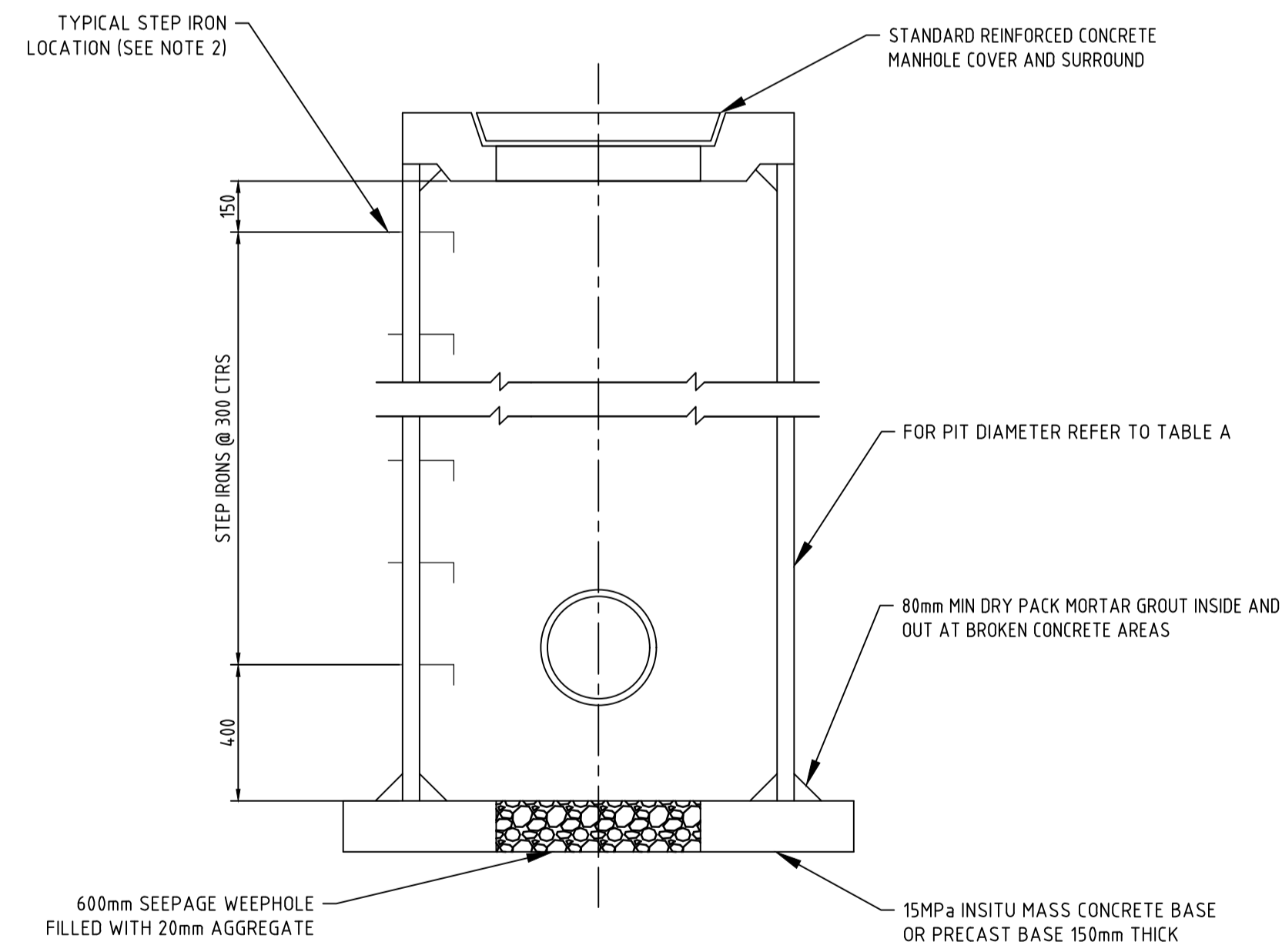


BENCHED PIT - WET CONDITIONS
N.T.S.

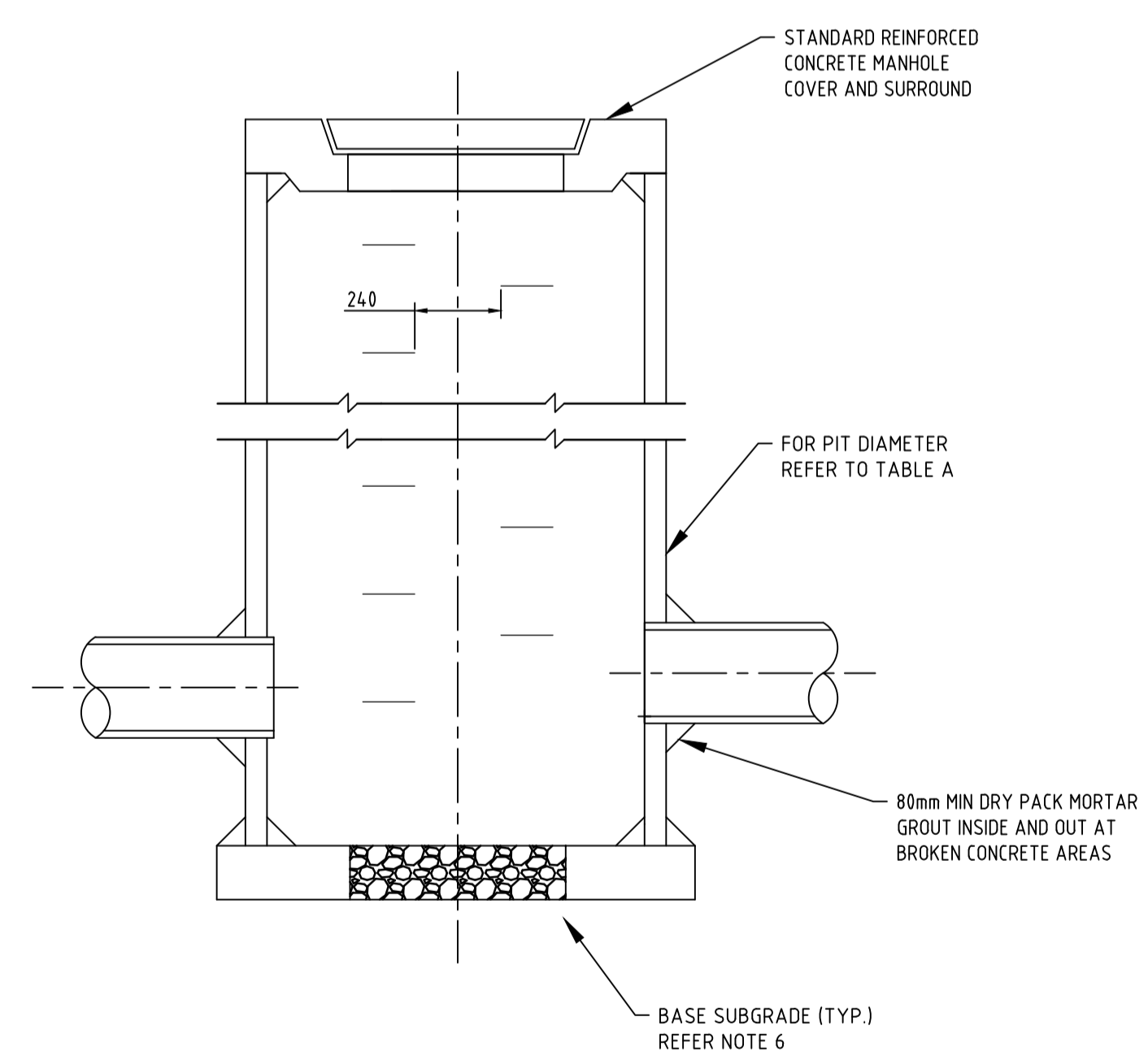
TABLE A

PIPE SIZE	CHAMBER/LINER	'A'	'B'
Ø225 - Ø450	Ø1050 ONLY	830	70
Ø525 - Ø675	Ø1200 ONLY	900	0
Ø750	Ø1200	830	220
Ø900	Ø1500	830	370

THE ABOVE TABLE IS APPLICABLE WHERE PIPES INTERSECT AT CENTRE TO CENTRE AND AT 90°. OTHER ANGLES OF INTERSECTION MUST BE AS PER MANUFACTURES REQUIREMENTS.



SECTION-A
N.T.S.



SECTION-B
N.T.S.

NOTES:

- CONCRETE TO BE 20mm NOM AGGREGATE AND HAVE A MINIMUM COMPRESSIVE STRENGTH AT 28 DAYS OF 20MPa FOR INSITU BASE AND 40MPa FOR PRECAST UNITS.
- ALL COMPONENTS SHALL BE DESIGNED TO ACCEPT LOADINGS IN ACCORDANCE WITH AS3725 AND MANUFACTURER'S GUIDELINES.
- IN HIGH GROUNDWATER AREAS THE BASE AND PIT MUST BE SEALED AND BENCHED.
- STEP IRONS TO BE INSTALLED IN PITS WHERE THE DEPTH FROM COVER TO TOP OF BASE EXCEEDS 1200mm.
- PIPE JOINTS WITHIN 10m OF PIT TO BE SEALED.
- SUBGRADE TO BASE TO BE COMPACTED TO 95% M.M.D.D PRIOR TO PLACING OF BASE.
- BACKFILL SURROUNDING PIT TO BE TO 95% M.M.D.D.
- ALL PITS TO HAVE 600mm WEEP HOLE, UNLESS IN HIGH GROUND WATER AREAS, SEE NOTE 3.
- A MAXIMUM OF THREE PIPE OPENINGS ARE ALLOWED IN ANY ONE JUNCTION PIT. A MINIMUM WALL WIDTH OF 250mm IS ALLOWED BETWEEN HOLES CUT FOR PIPE OPENINGS.
- ALL PITS TO BE TRAPPED WITH MINIMUM 300mm DEPTH BELOW PIPE INVERT.
- PIPES TO BE FINISHED FLUSH WITH INSIDE OF LINER AND MADE GOOD WITH MORTAR.

REV	DATE	DESCRIPTION	DRAWN
C	05/17	GULLY GRATE DETAILS REMOVED & DRAFTING AMENDMENTS	J.M
B	09/12	CITY OF KWINANA LOGO ADDED	J.M
A	04/09	ADOPTED BY TOWN OF KWINANA	J.M

ASSOCIATE CONSULTANT:



PROJECT: **STANDARD DETAILS TYPICAL JUNCTION PIT**

PHONE: (08) 9439 0200 ADDRESS: Cnr Gilmore Avenue and Sulphur Road, Kwinana WA 6167

FAX: (08) 9439 0222

EMAIL: admin@kwinana.wa.gov.au

WEB: http://www.kwinana.wa.gov.au

SCALE: **N.T.S (A1)**

DESIGN: **S.S** CHECK: **R.N**

DRAWN: **J.M** DATE: **05/17**

AUTHORISED (MANAGER ENGINEERING SERVICES)

R.NAJAFZADEH

DRAWING TITLE: **STANDARD DETAILS TYPICAL JUNCTION PIT**

FILE NO.: **ENG03**

DRAWING NUMBER: **STD-D02** REVISION: **C**