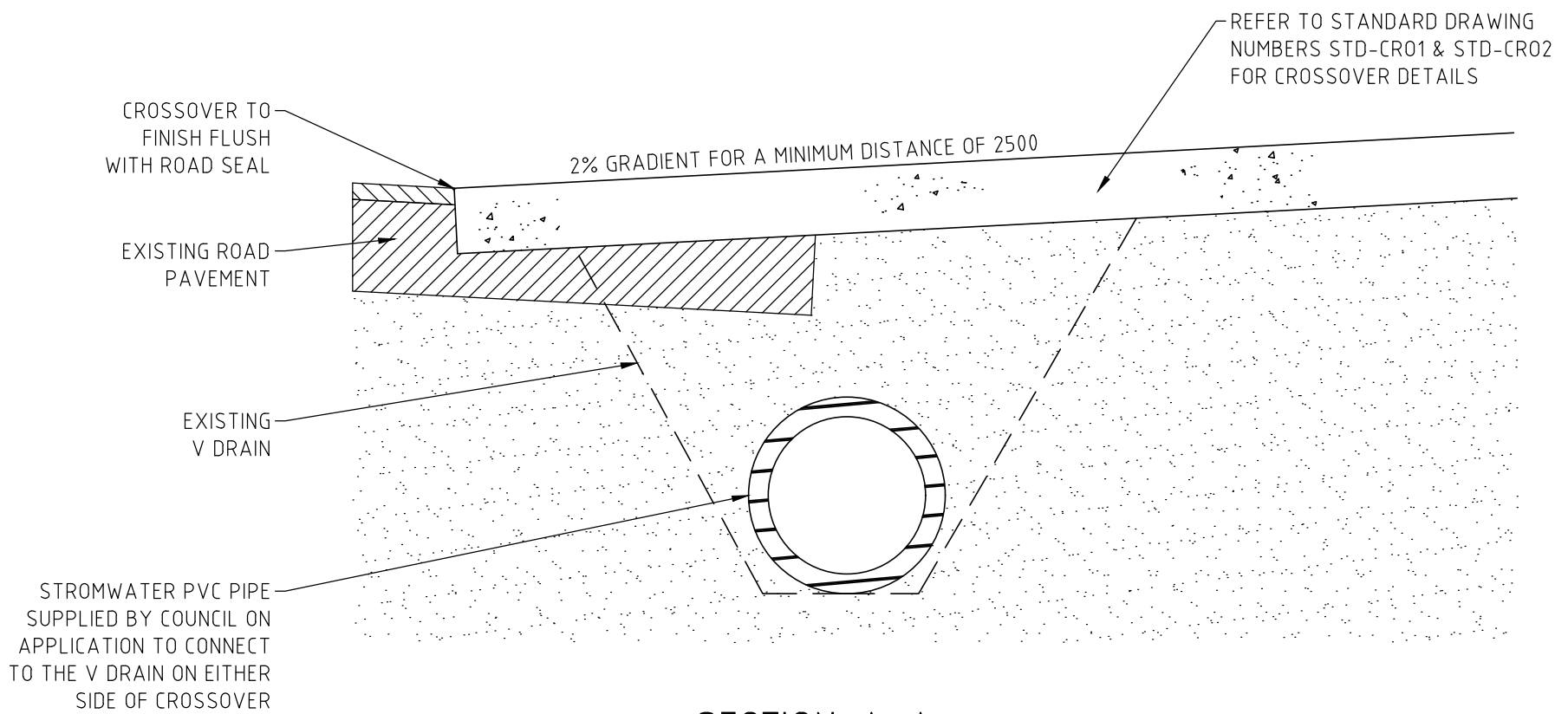


**TYPICAL RURAL CROSSOVER**  
SCALE 1:50



**SECTION A-A**  
SCALE 1:10

**NOTES:**

1. ALL DIMENSIONS IN MILLIMETERS.
2. DRAWING TO BE READ IN CONJUNCTION WITH CITY OF KWINANA CROSSOVER SPECIFICATION.
3. THIS STANDARD DETAIL DOES NOT APPLY TO CROSSOVERS CONSTRUCTED BY DEVELOPERS.
4. CULVERT MUST BE SIZED TO SUITE V DRAIN CAPACITY (MINIMUM  $\phi 300$ ).

REV	DATE	DESCRIPTION	AUTH
C	06/18	REVIEW OF DRAWING WITH DIMENSION MODIFICATIONS MADE	JM
B	09/12	CITY OF KWINANA LOGO ADDED	SH
A	08/11	ADOPTED BY COUNCIL	VK

ASSOCIATE CONSULTANT:



PROJECT: **CITY OF KWINANA**  
**CROSSOVER STANDARD DETAIL**

ADDRESS: Cnr Gilmore Avenue and Sulphur Road, Kwinana WA 6167  
PHONE: (08) 9439 0200  
FAX: (08) 9439 0222  
EMAIL: admin@kwinana.wa.gov.au  
WEB: http://www.kwinana.wa.gov.au

SCALE: **AS SHOWN (A3)**

DESIGN: N.S	CHECK: R.N
DRAWN: J.M	DATE: 08/11

AUTHORISED (MANAGER ENGINEERING SERVICES)  
**R.NAJAFZADEH**

DRAWING TITLE: **RURAL CROSSOVER & CULVERT STANDARD DETAIL**

FILE NO.:

DRAWING NUMBER: <b>STD-CR04</b>	REVISION: <b>C</b>
---------------------------------	--------------------