

SIDE ENTRY PIT PLAN VIEW
N.T.S.

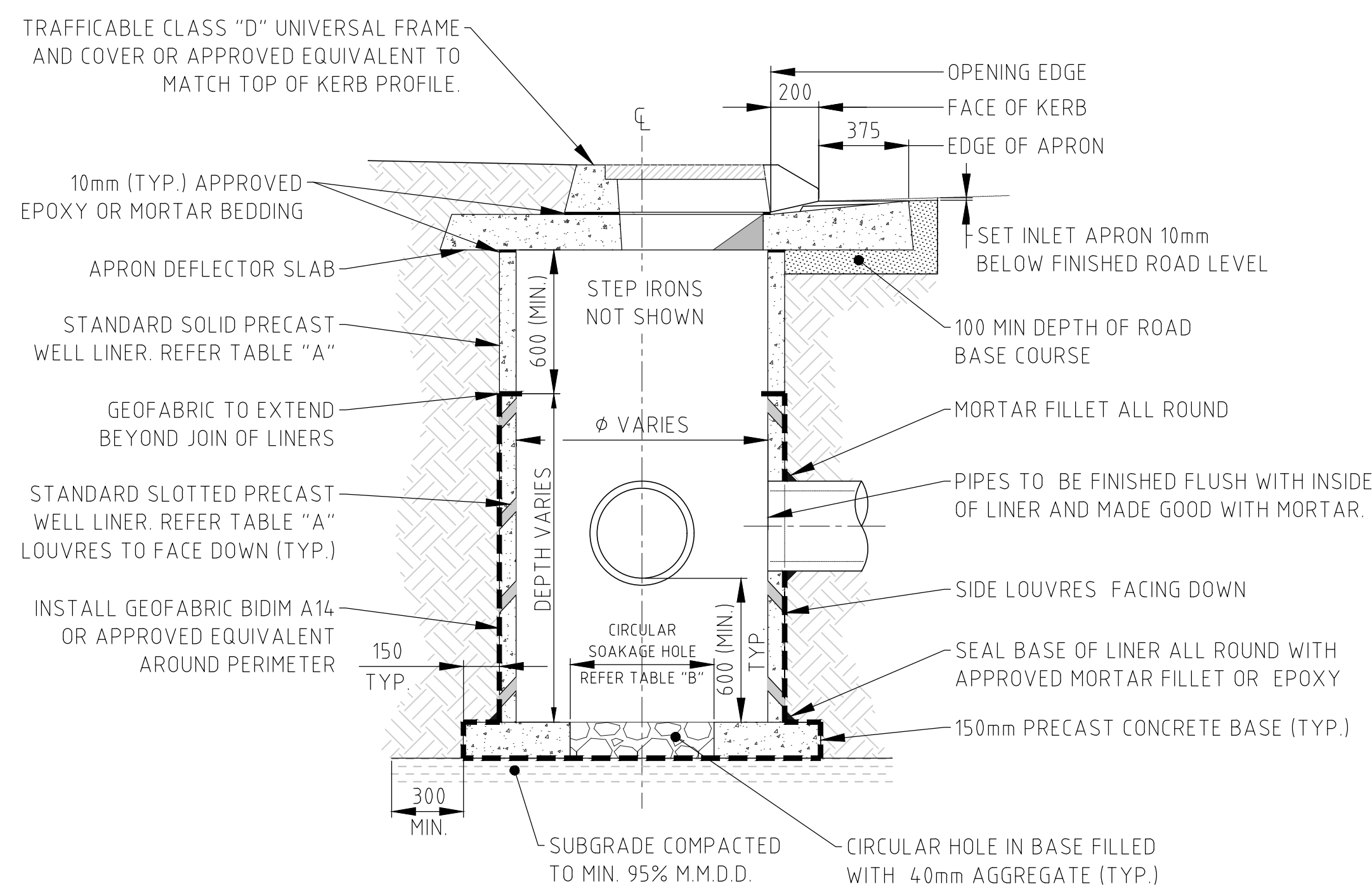
NOM. LINER SIZE (mm)	PIPE SIZE MAX. (mm)	LINER TYPE
φ1050	φ450	CONCRETE
φ1200	φ600	CONCRETE
φ1500	φ750	CONCRETE
φ1800	φ900	CONCRETE

FOR PIPES φ1200 AND LARGER INSTALL A CUSTOM CHAMBER TO SUIT.

LINER SIZE MIN. (mm)	SOAKHOLE DIAMETER (mm)
1050	600
1200	600
1500	900
1800	1200

NOTES

- ALL INSITU CONCRETE SHALL BE CLASS N32 IN ACCORDANCE WITH A1379.
- ALL INSITU CONCRETE CORNERS SHALL HAVE A 20 CHAMFER UNLESS OTHERWISE NOTED.
- CEMENT MORTAR SHALL CONSIST OF ONE PART CEMENT AND THREE PARTS SAND.
- SL81 REINFORCEMENT SHALL CONFORM WITH HARD DRAWN FABRIC TO AS4671.
- MINIMUM CLEAR COVER TO REINFORCEMENT SHALL BE 50mm.
- THE LINER SHALL BE REINFORCED CONCRETE SPUN TO AS4058.
- THE MAXIMUM INLET/OUTLET PIPE OUTSIDE DIAMETER SHALL BE LESS THAN 60% OF THE LINER INTERNAL DIAMETER.
- MINIMUM OF 40% OF LINER SHALL REMAIN IN ANY HORIZONTAL PLANE.
- MINIMUM INTERNAL LINER SPACE OF 200mm BETWEEN PUNCHED/CUT HOLES.
- HOLES TO BE CUT/PUNCHED ON ACCORDANCE WITH MANUFACTURER'S SPECIFICATION.
- THE LINER SHALL HAVE EQUIVALENT PROPERTIES AND REINFORCEMENT OF CLASS 2 R.C.P. EXCEPT THAT THE REINFORCEMENT SHALL BE CIRCULAR.
- FOR STRUCTURES DEEPER THAN 1200mm, STEP IRONS OR PREFABRICATED GALVANISED STEEL LADDER SHALL BE FITTED. THE LADDER SHALL BE FIXED WITH STAINLESS STEEL MASONRY ANCHORS IN ACCORDANCE WITH AS1657.
- STEP IRONS TO BE LOCATED ON THE SIDE WITH LEAST INTERFERENCE FROM PIPES IN ALL JUNCTION PITS, GULLY'S, SIDE ENTRY AND/OR COMBINATION PITS. THIS IS TO ENSURE STEP INTERVALS AREN'T COMPROMISED AND ACCESSIBILITY IS MAINTAINED.
- COVERS SHALL BE CLASS D TO AS3996.
- SIDE ENTRY PIT APRON SHALL BE A COMBINATION OF PROPRIETARY MATCHING FRAME (UNIVERSAL SIDE ENTRY FRAME OR APPROVED EQUIVALENT) AND AN APPROVED APRON DEFLECTOR SLAB.
- SIDE ENTRY PIT COVER AND APRON SHALL SATISFY THE FOLLOWING CRITERIA:
 VERTICAL OPENING: 100 MIN. 150 MAX.
 HORIZONTAL OPENING: 880 MIN.
 APRON GRADE: 3% WITH VERTICAL DEFLECTORS



SECTION-A
N.T.S.

REV	DATE	DESCRIPTION	DRAWN
C	06/22	DRAWING NOTE 13 AMENDED	J.M
B	06/19	REVIEW COMPLETED & DRAFTING AMENDMENTS MADE	J.M
A	07/18	ADOPTED BY CITY OF KWINANA	J.M

ASSOCIATE CONSULTANT:	
-----------------------	--



PROJECT:		STANDARD DETAILS SIDE ENTRY PIT WITH SOAKWELL LINER	
PHONE:	(08) 9439 0200	ADDRESS:	Cnr Gilmore Avenue and Sulphur Road, Kwinana WA 6167
FAX:	(08) 9439 0222		
EMAIL:	admin@kwinana.wa.gov.au		
WEB:	http://www.kwinana.wa.gov.au		

SCALE:	N.T.S. (A1)
DESIGN:	N.S
CHECK:	R.N
DRAWN:	J.M
DATE:	07/18
AUTHORISED (MANAGER ENGINEERING SERVICES)	
R.NAJAFZADEH	

DRAWING TITLE		STANDARD DETAILS SIDE ENTRY PIT WITH SOAKWELL LINER	
FILE NO.:	ENG03	DRAWING NUMBER	STD-D11
REVISION			C