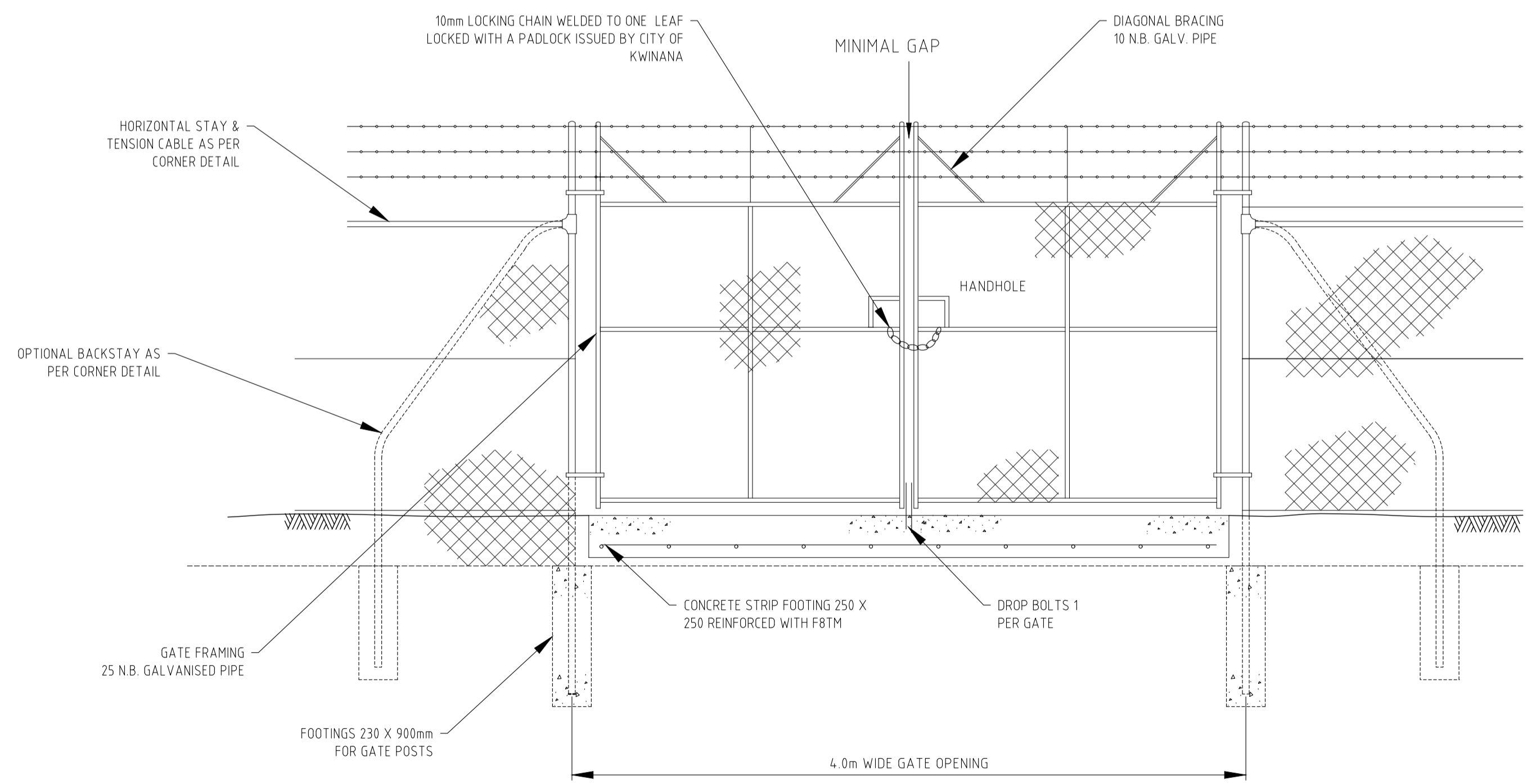
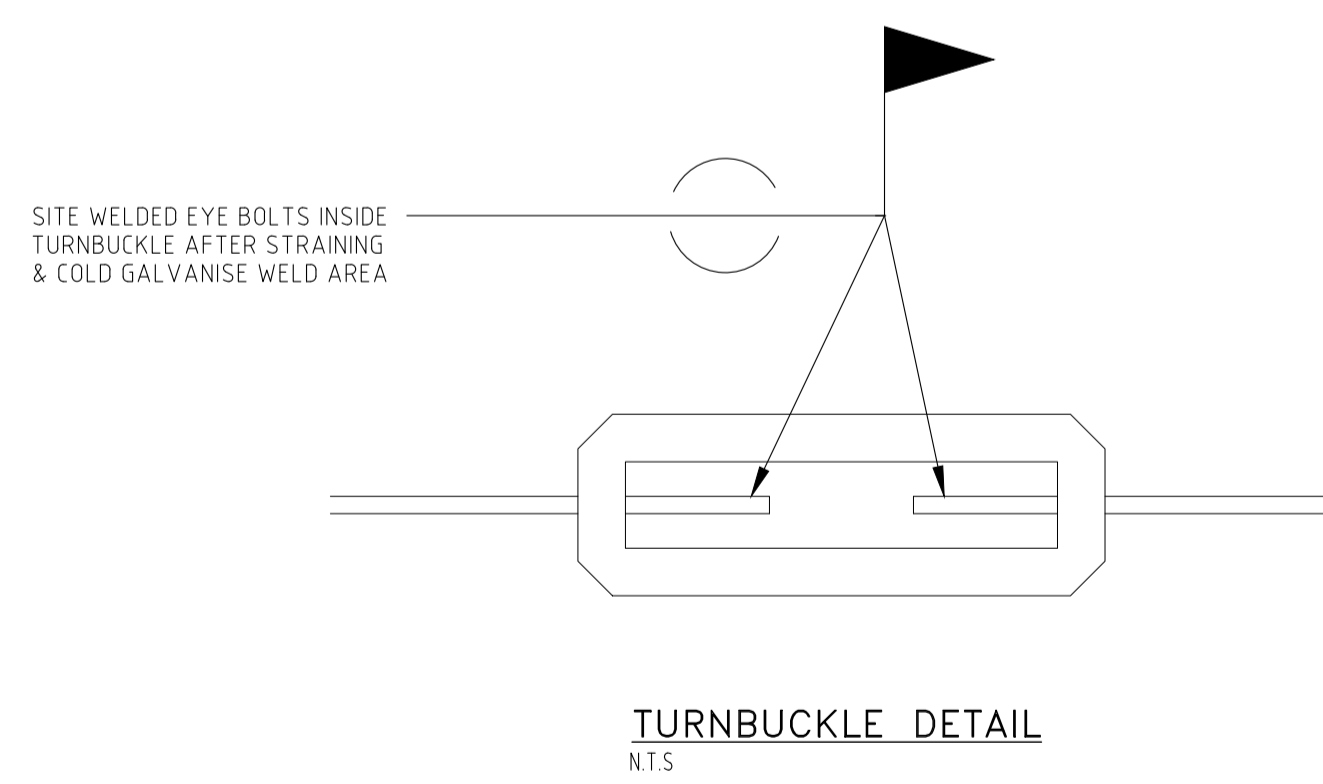


**CORNER DETAIL**  
N.T.S

**SECTION-F**  
N.T.S



**GATE DETAIL**  
N.T.S

REV	DATE	DESCRIPTION	DRAWN
G	06/22	HIGH TENSILE GALVANISED BARBED WIRE AMENDED TO 1.6mm DIAMETER	J.M
F	06/19	REVIEW COMPLETED & DRAFTING AMENDMENTS MADE	J.M
E	05/17	DRAFTING AMENDMENTS MADE	J.M
D	09/12	CITY OF KWINANA LOGO ADDED	J.M
C	12/09	AMENDED PADLOCK NOTE	V.K
B	12/09	CHANGED TITLE FROM SUMP GATE TO SUMP FENCING DETAILS	V.K
A	04/09	ADOPTED BY TOWN OF KWINANA	V.K

ASSOCIATE CONSULTANT:



PROJECT: **STANDARD DETAILS DRAINAGE SUMP FENCING**  
 PHONE: (08) 9439 0200 ADDRESS: Cnr Gilmore Avenue and Sulphur Road, Kwinana WA 6167  
 FAX: (08) 9439 0222  
 EMAIL: admin@kwinana.wa.gov.au  
 WEB: http://www.kwinana.wa.gov.au

SCALE: **N.T.S (A1)**  
 DESIGN: S.S CHECK: R.N  
 DRAWN: J.M DATE: 05/17  
 AUTHORISED (MANAGER ENGINEERING SERVICES)  
**R.NAJAFZADEH**

DRAWING TITLE		FILE NO.	REVISION
STANDARD DETAILS DRAINAGE SUMP FENCING		ENG03	G
DRAWING NUMBER		STD-D04	