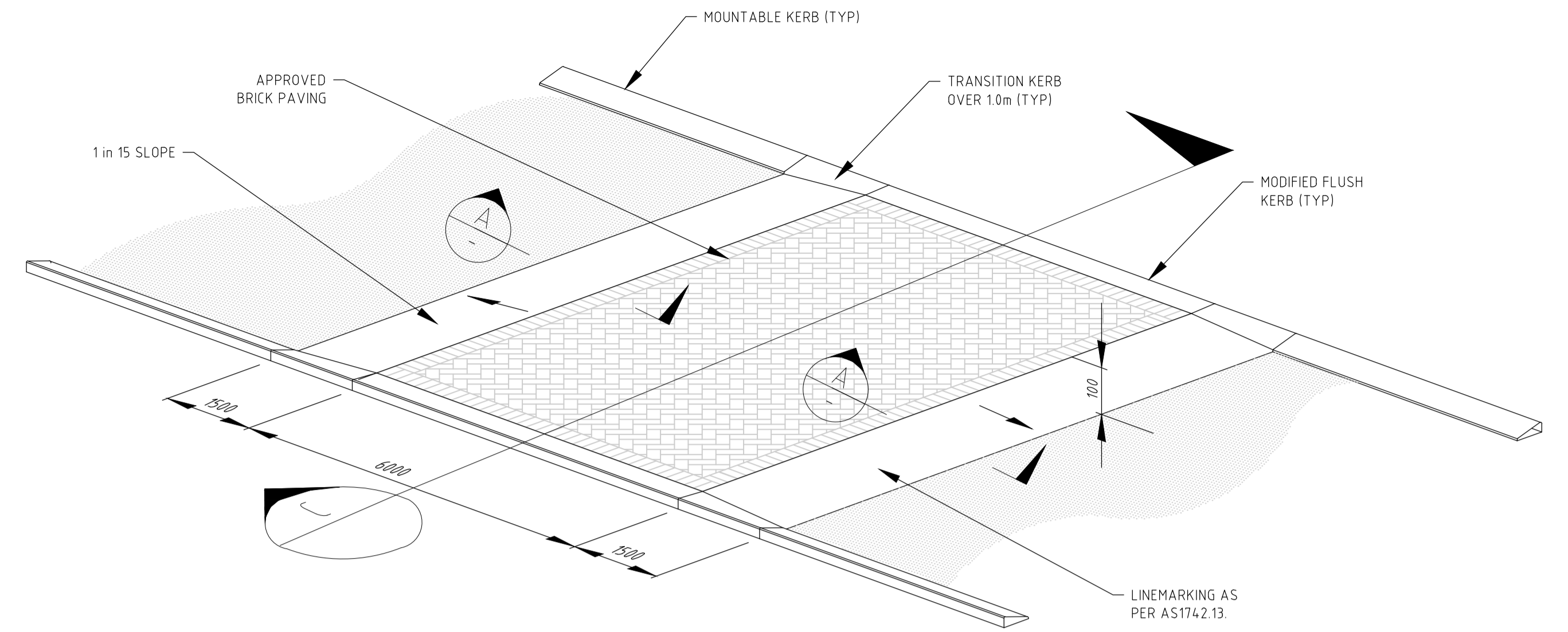
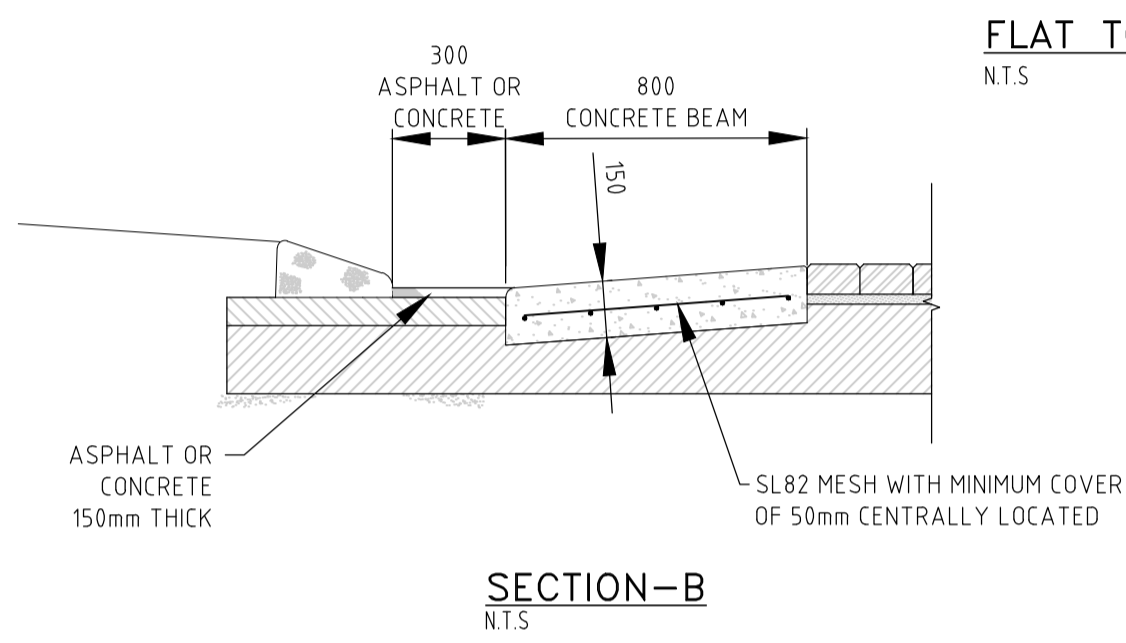


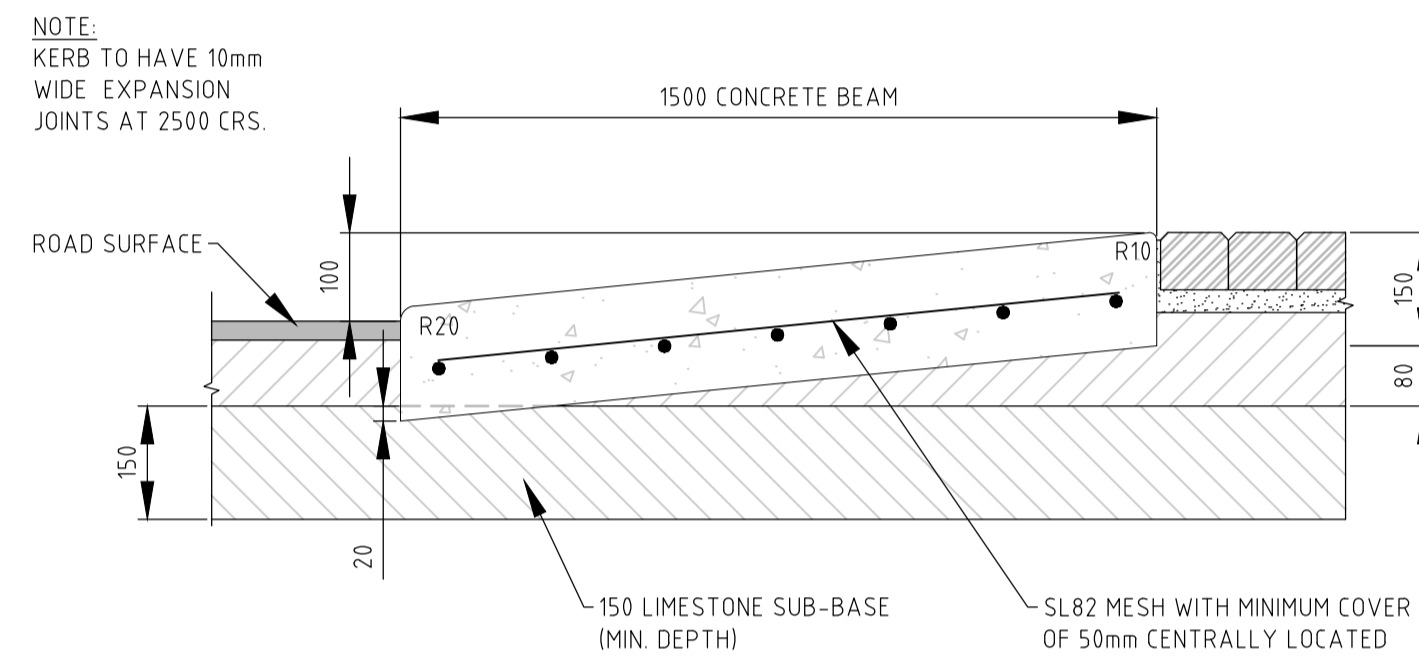
FLAT TOP SPEED PLATEAU – TYPE 1
N.T.S.



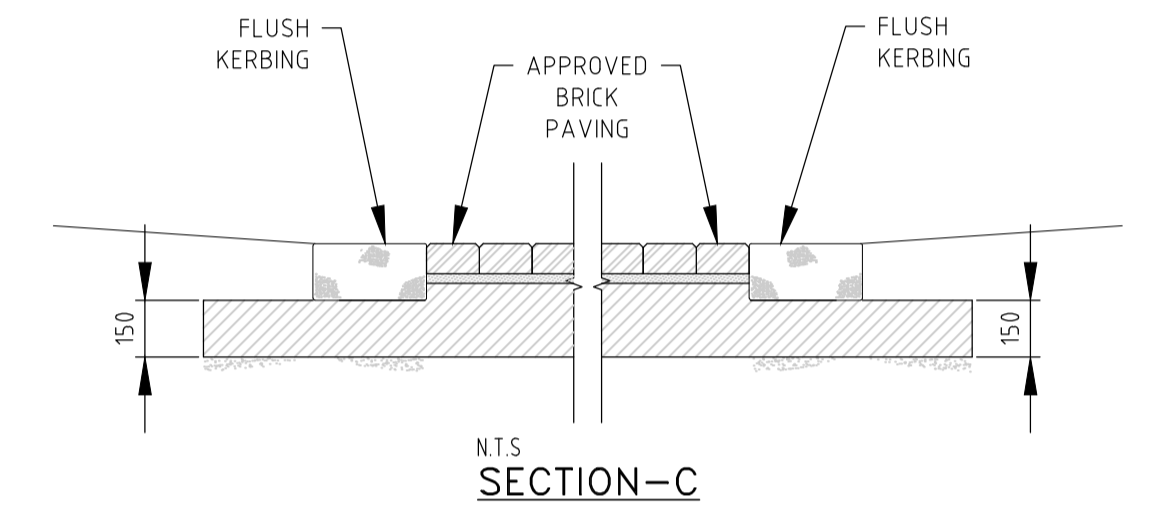
FLAT TOP SPEED PLATEAU – TYPE 2
N.T.S.



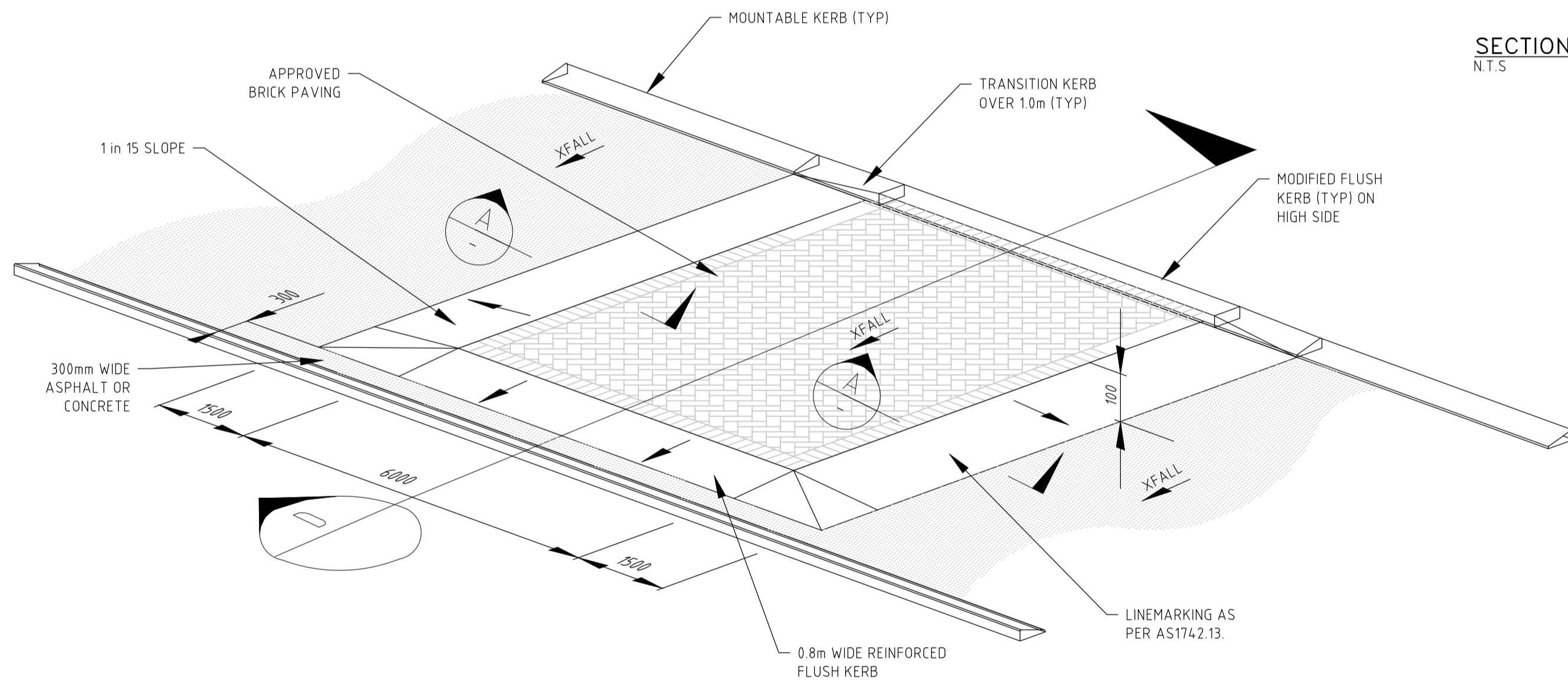
SECTION-B
N.T.S.



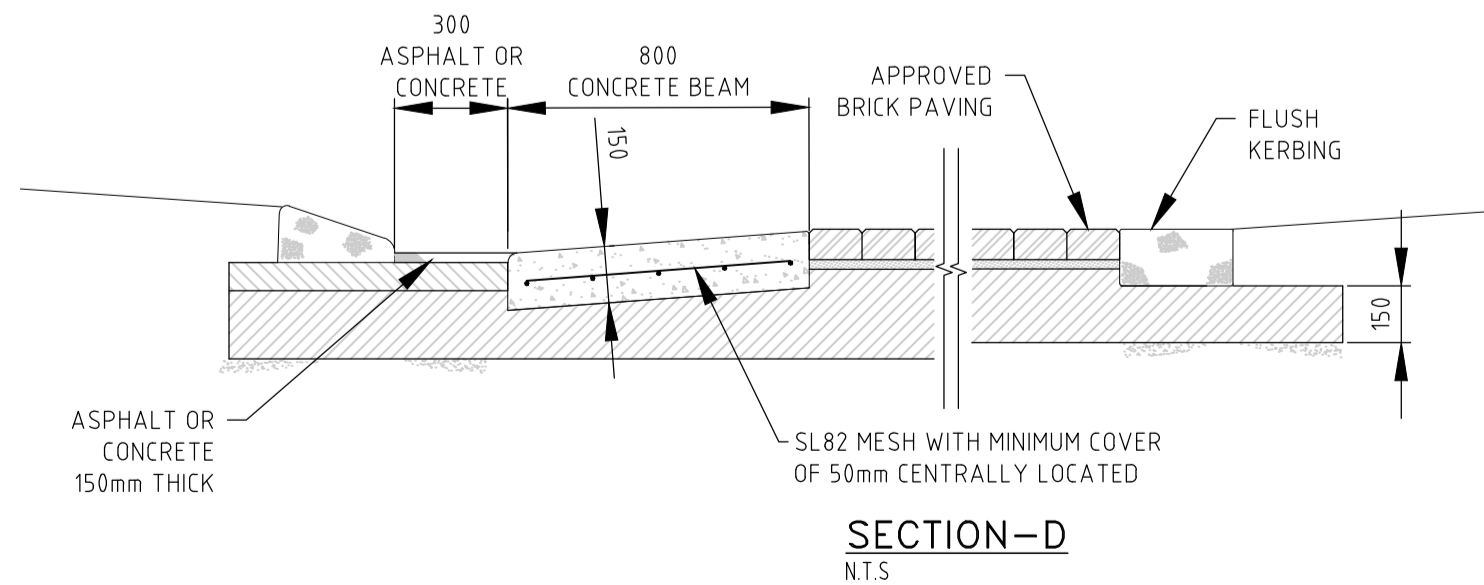
SECTION-A – REINFORCED FLUSH KERB/EDGE BEAM
N.T.S.



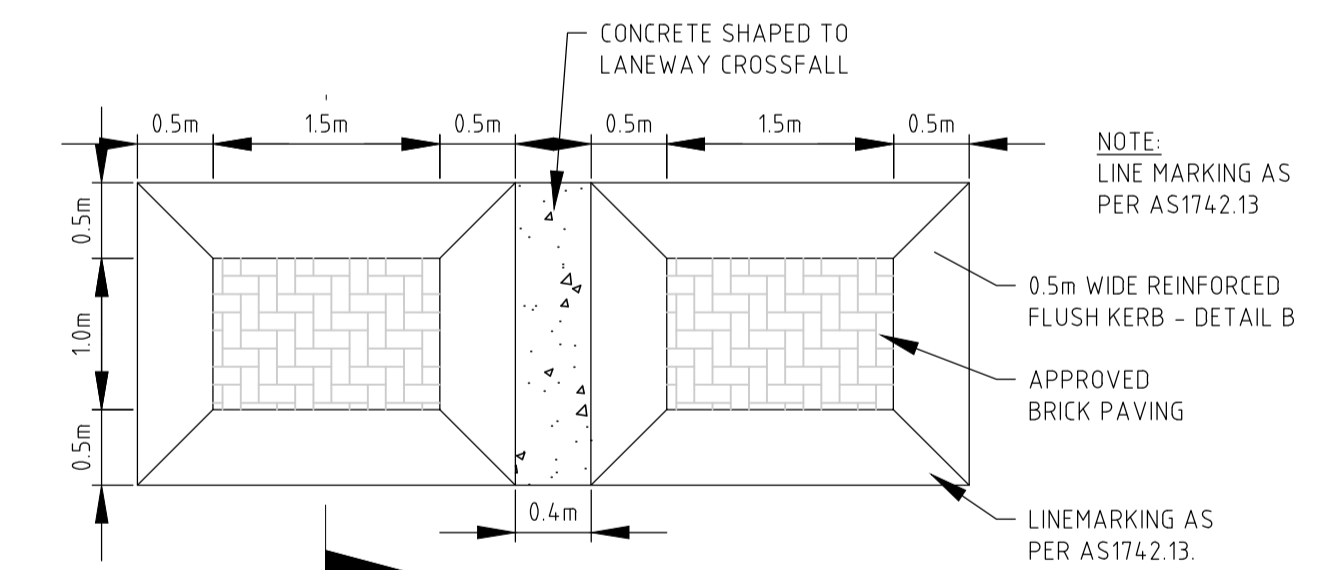
SECTION-C
N.T.S.



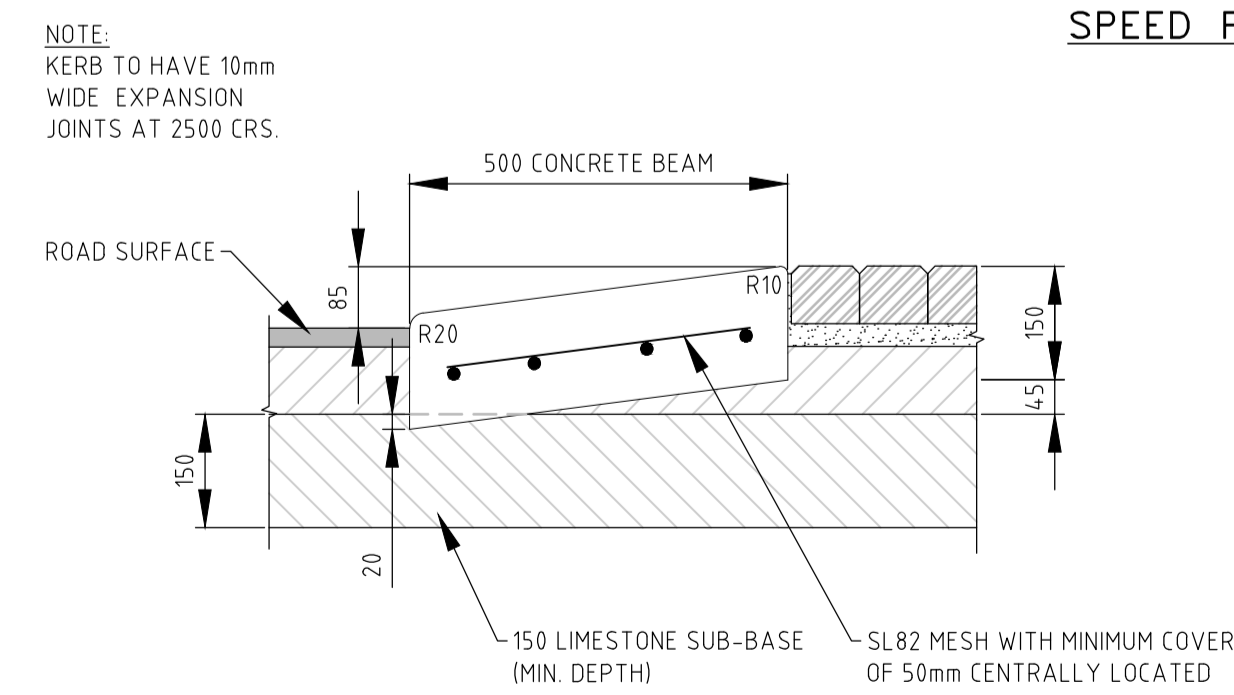
FLAT TOP SPEED PLATEAU – TYPE 3
N.T.S.



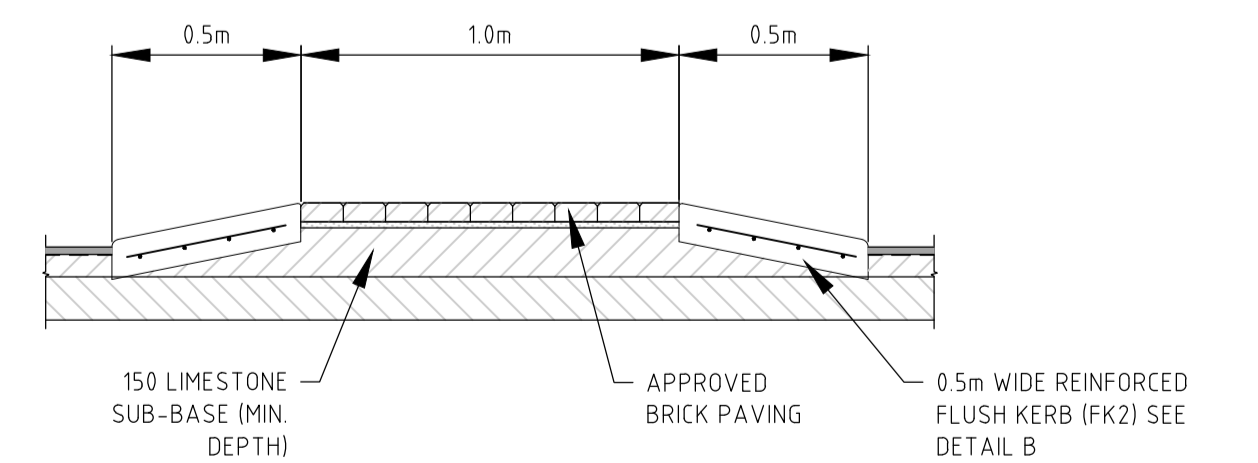
SECTION-D
N.T.S.



SPEED PLATEAU FOR LANEWAYS



DETAIL B – REINFORCED FLUSH KERB/EDGE BEAM
N.T.S.



SECTION-B
N.T.S.

REV	DATE	DESCRIPTION	DRAWN
F	04/21	CONCRETE BEAM WIDTH AMENDED FROM 1m TO 1.5m	J.M.
E	06/19	REVIEW COMPLETED & DRAFTING AMENDMENTS MADE	J.M.
D	06/18	PIANO MARKING DETAIL REMOVED, RAMP HEIGHTS AMENDED FOR LANEWAYS & DETAIL A ADDED	J.M.
C	05/17	PIANO MARKING DETAILS ADDED & SECTION A AMENDED TO INCLUDE FULL WIDTH OF PLATEAU	J.M.
B	09/12	CITY OF KWINANA LOGO ADDED	J.M.
A	08/11	ADOPTED BY TOWN OF KWINANA	V.B.

DATE	DESCRIPTION	DRAWN
	ASSOCIATE CONSULTANT:	



PROJECT:		STANDARD DETAILS TYPICAL SPEED PLATEAU	
PHONE:	(08) 94 39 0200	ADDRESS:	Cnr Gilmore Avenue and Sulphur Road, Kwinana WA 6167
FAX:	(08) 94 39 0222		
EMAIL:	admin@kwinana.wa.gov.au		
WEB:	http://www.kwinana.wa.gov.au		

SCALE:		AS SHOWN (A1)	
DESIGN:	S.S.	CHECK:	R.N.
DRAWN:	J.M.	DATE:	05/17
AUTHORISED (MANAGER ENGINEERING SERVICES)			
R.NAJAFZADEH			

DRAWING TITLE:		STANDARD DETAILS TYPICAL SPEED PLATEAU	
DRAWING NUMBER:		STD-R08	
REVISION:		F	