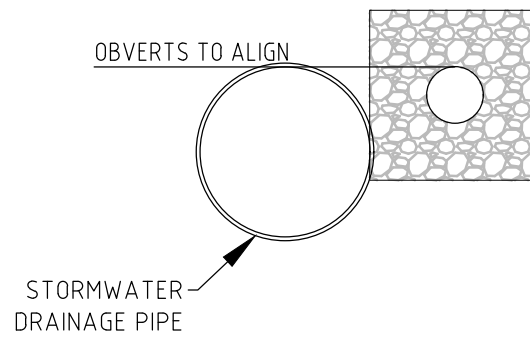
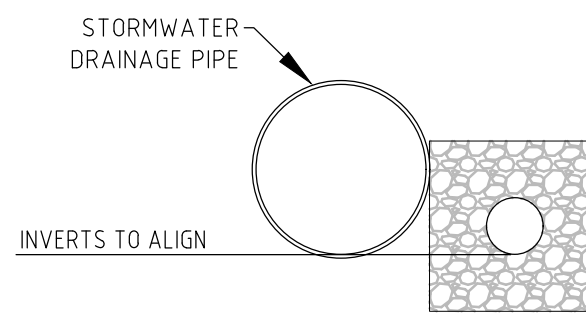


TRENCH TO BE IN ACCORDANCE WITH THE SPECIFICATION

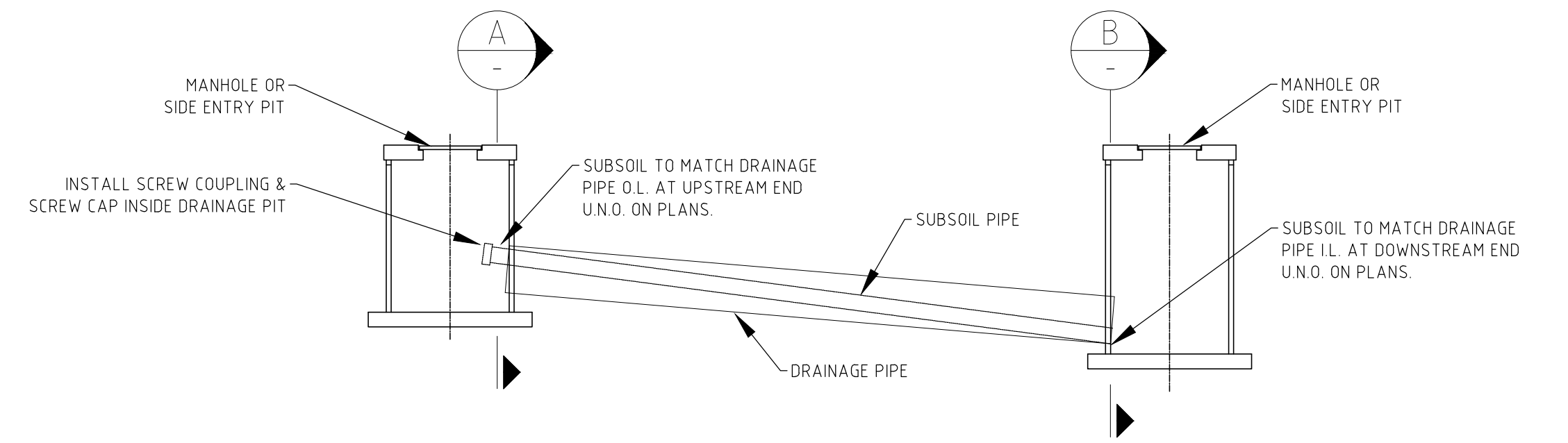
SUBSOIL PIPE TRENCH DETAIL
N.T.S.



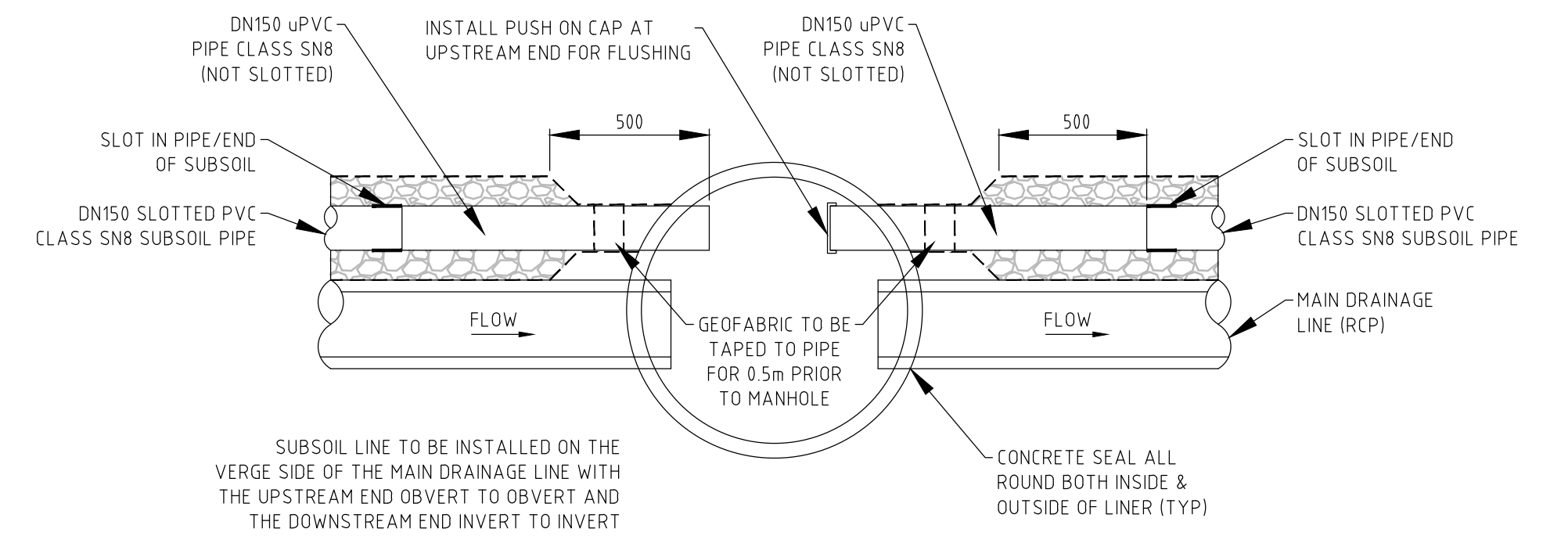
SECTION-A
N.T.S.



SECTION-B
N.T.S.

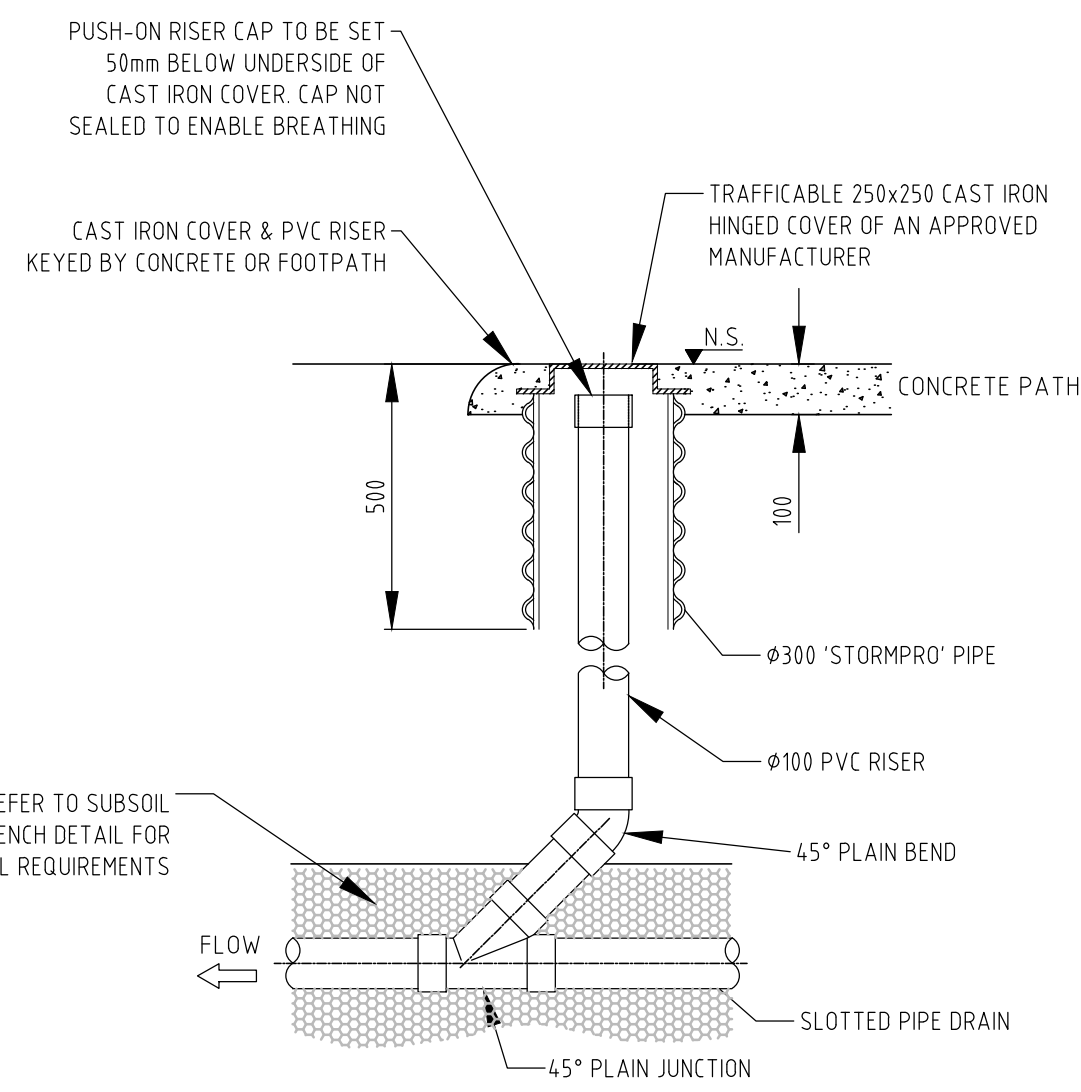


TYPICAL ARRANGEMENT FOR COMMON TRENCH SUBSOIL PIPE
N.T.S.

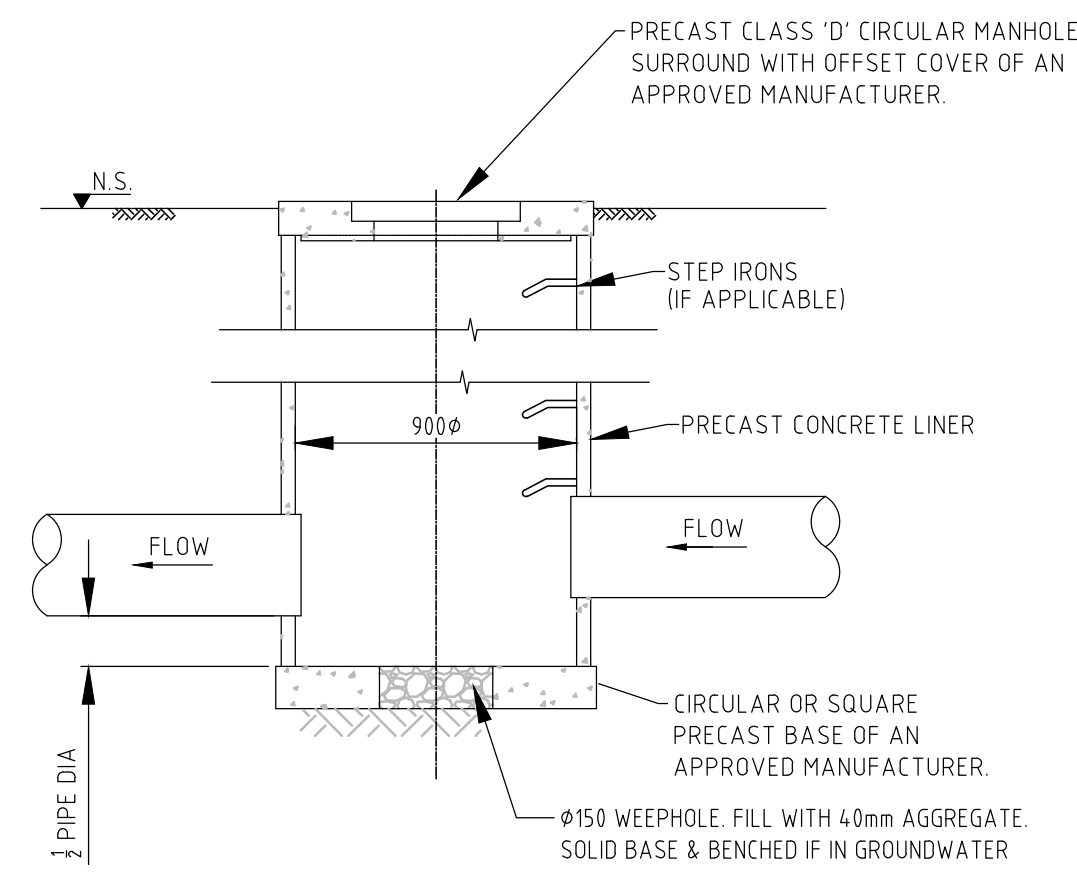


SUBSOIL LINE TO BE INSTALLED ON THE VERGE SIDE OF THE MAIN DRAINAGE LINE WITH THE UPSTREAM END OBVERT TO OBVERT AND THE DOWNSTREAM END INVERT TO INVERT

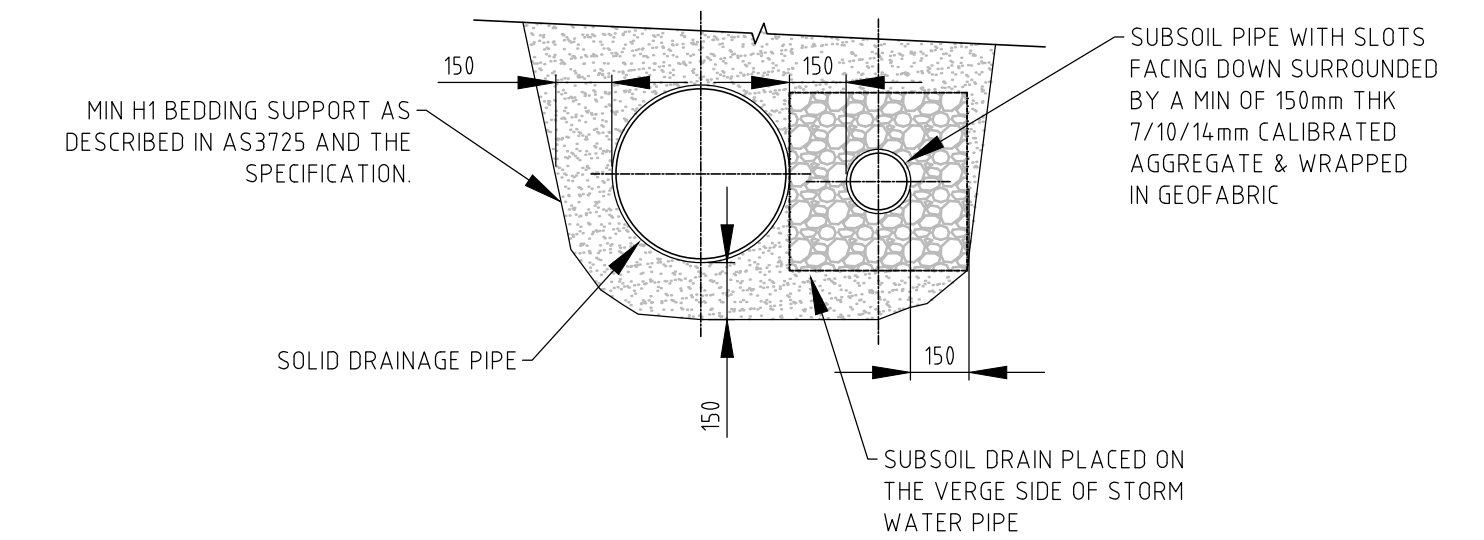
SUBSOIL PIPE CONNECTION TO RC LINER DETAIL
N.T.S.



SUBSOIL MAINTENANCE RISER DETAIL (SR)
N.T.S.



SUBSOIL MAINTENANCE CHAMBER DETAIL (SM)
N.T.S.



TRENCH DETAIL (SOLID+SUBSOIL)
N.T.S.

SUBSOIL DRAINAGE NOTES

1. MAINTENANCE RISER TO BE LOCATED AT 60m MAXIMUM SPACING AT EVERY CHANGE OF DIRECTION AND UPSTREAM EXTREMITIES.
2. MAINTENANCE CHAMBERS ARE TO BE USED EVERY 180m AND AT THE JUNCTION OF TWO OR MORE INLET PIPES AND THE CHANGE OF PIPE SIZES.
3. NON-SLOTTED SOLID PIPE TO BE USED DIRECTLY UNDER ROAD PAVEMENTS.
4. SUBSOIL IN COMMON TRENCH WITH DRAINAGE TO CONNECT INTO D/S AND U/S/ DRAINAGE PITS.

| REV | DATE | DESCRIPTION | DRAWN |
|-----|-------|--|-------|
| C | 12/21 | ADDITIONAL SUBSOIL DRAINAGE DETAIL - SUBSOIL PIPE CONNECTION TO RC LINER | J.M |
| B | 06/19 | REVIEW COMPLETED & DRAFTING AMENDMENTS MADE | J.M |
| A | 06/18 | ADOPTED BY CITY OF KWINANA | J.M |

ASSOCIATE CONSULTANT:



PROJECT:
**STANDARD DETAILS
SUBSOIL DRAINAGE**

PHONE: (08) 9439 0200 ADDRESS: Cnr Gilmore Avenue and Sulphur Road, Kwinana WA 6167
FAX: (08) 9439 0222
EMAIL: admin@kwinana.wa.gov.au
WEB: http://www.kwinana.wa.gov.au

SCALE: **N.T.S (A1)**
DESIGN: N.S CHECK: R.N
DRAWN: J.M DATE: 06/18
AUTHORISED (MANAGER ENGINEERING SERVICES)
R.NAJAFZADEH

DRAWING TITLE:
**STANDARD DETAILS
SUBSOIL DRAINAGE**

FILE NO.: ENG03
DRAWING NUMBER: STD-D09 REVISION: C