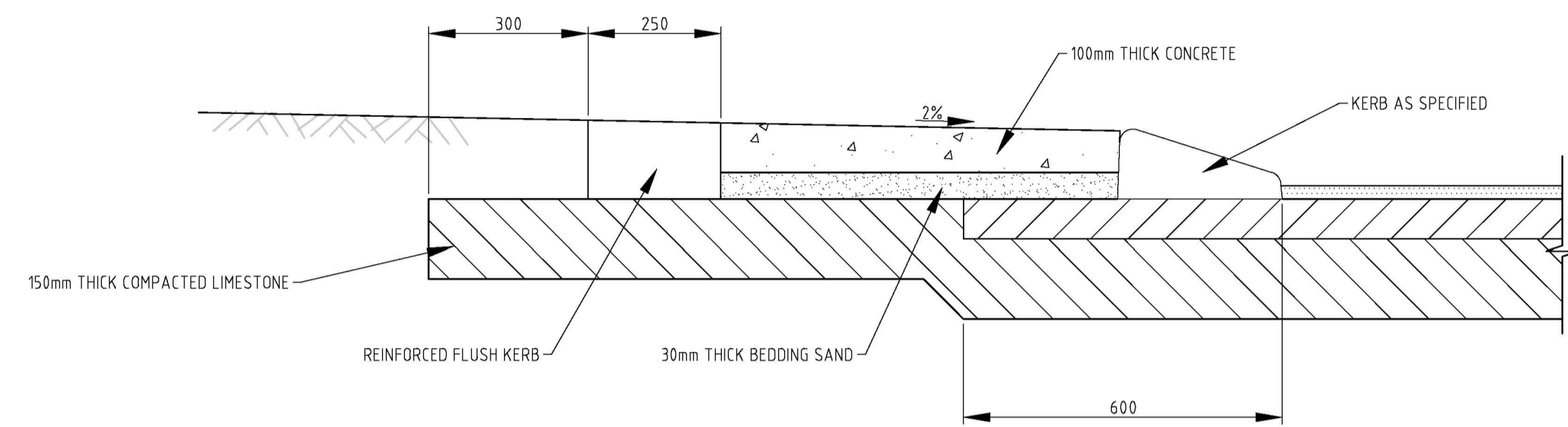
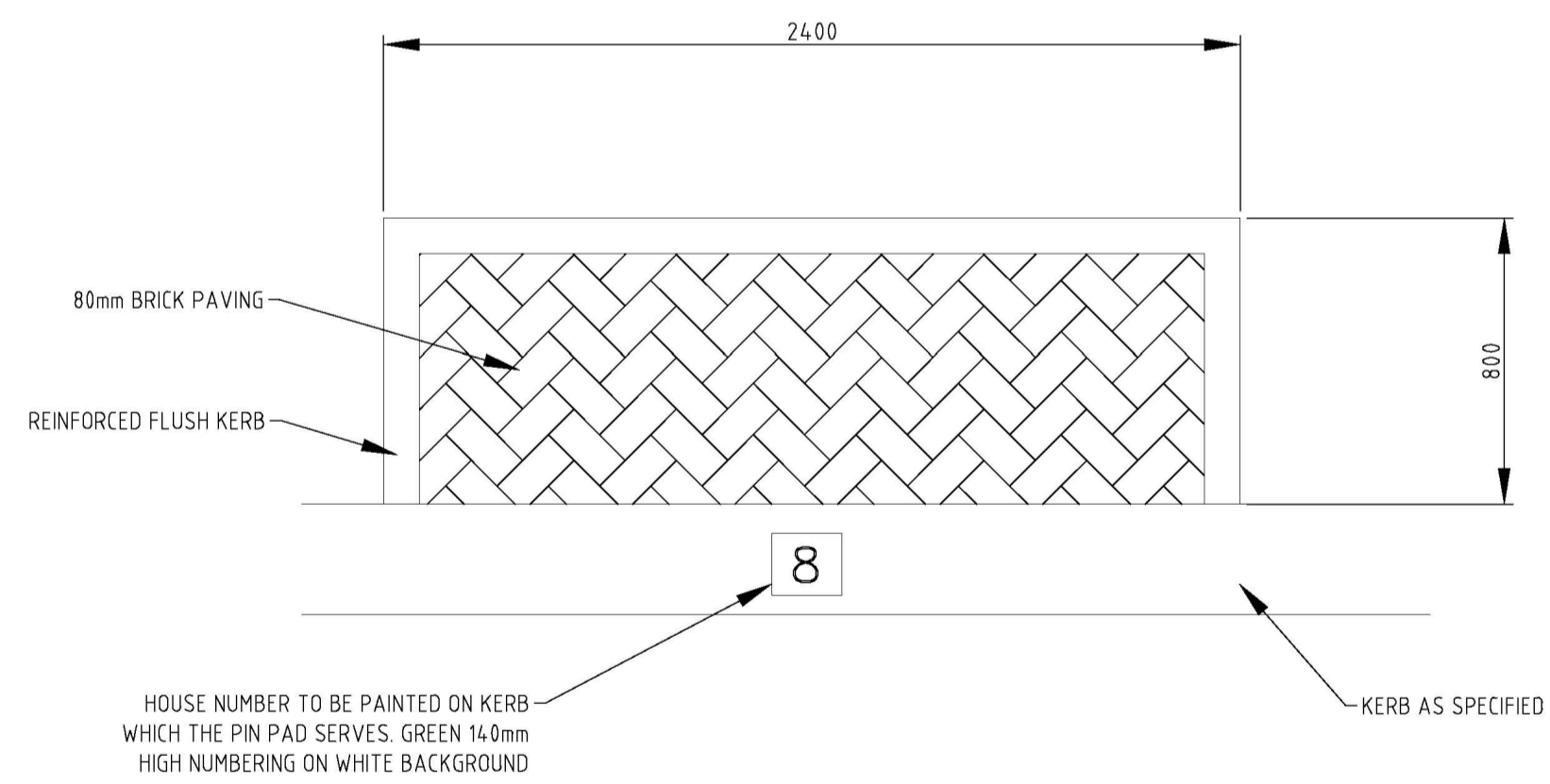


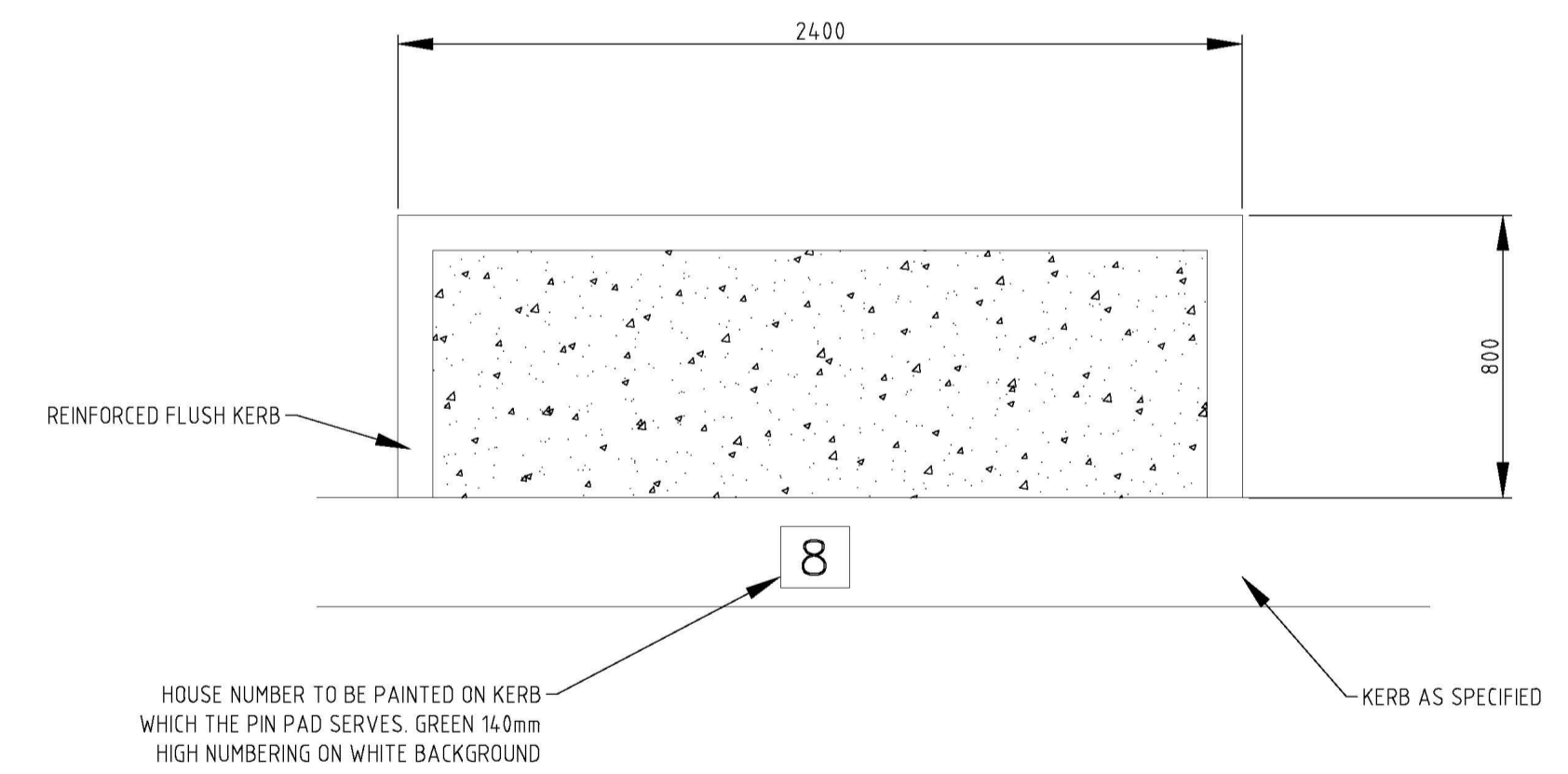
TYPICAL BRICK PAVED BIN PAD SECTION
SCALE 1:10



TYPICAL CONCRETE BIN PAD SECTION
SCALE 1:10



TYPICAL BRICK PAVED BIN PAD LAYOUT
SCALE 1:20



TYPICAL CONCRETE BIN PAD LAYOUT
SCALE 1:20

REV	DATE	DESCRIPTION	DRAWN
B	06/19	REVIEW COMPLETED & DRAFTING AMENDMENTS MADE	J.M
A	06/18	ADOPTED BY CITY OF KWINANA	J.M

ASSOCIATE CONSULTANT:



PROJECT: **STANDARD DETAILS**
TYPICAL BIN PADS

PHONE: (08) 94 39 0200 ADDRESS: Cnr Gilmore Avenue and Sulphur Road, Kwinana WA 6167
 FAX: (08) 94 39 0222
 EMAIL: admin@kwinana.wa.gov.au
 WEB: http://www.kwinana.wa.gov.au

SCALE: **AS SHOWN (A1)**

DESIGN: S.S	CHECK: R.N
DRAWN: J.M	DATE: 06/18

(AUTHORISED (MANAGER ENGINEERING SERVICES))
R.NAJAFZADEH

DRAWING TITLE: **STANDARD DETAILS**
TYPICAL BIN PADS

FILE NO: **ENG03**

DRAWING NUMBER: STD-R10	REVISION: B
--------------------------------	--------------------