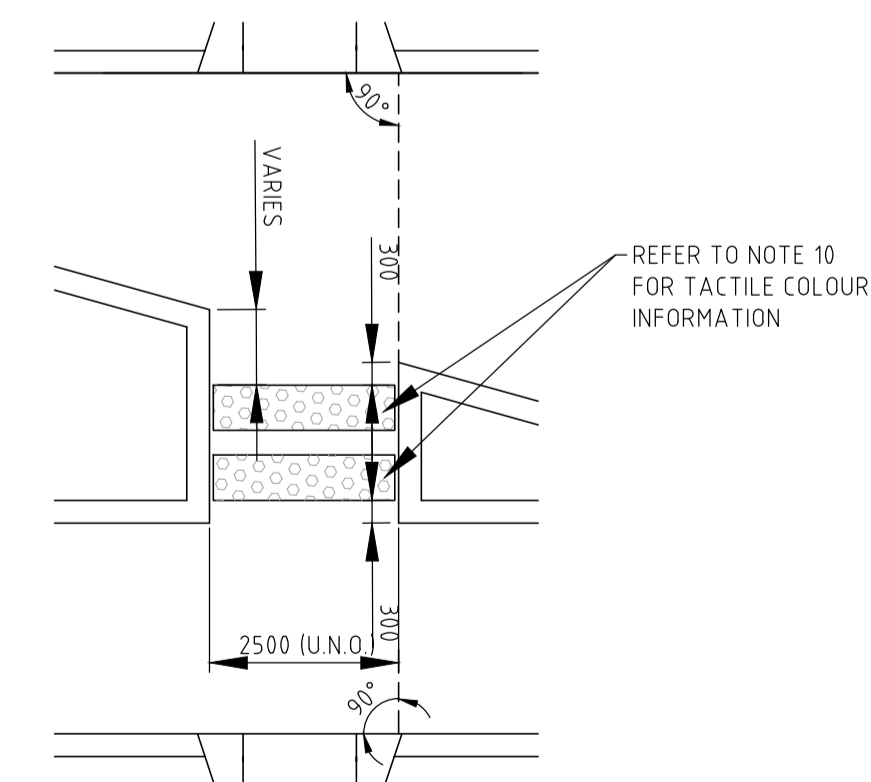
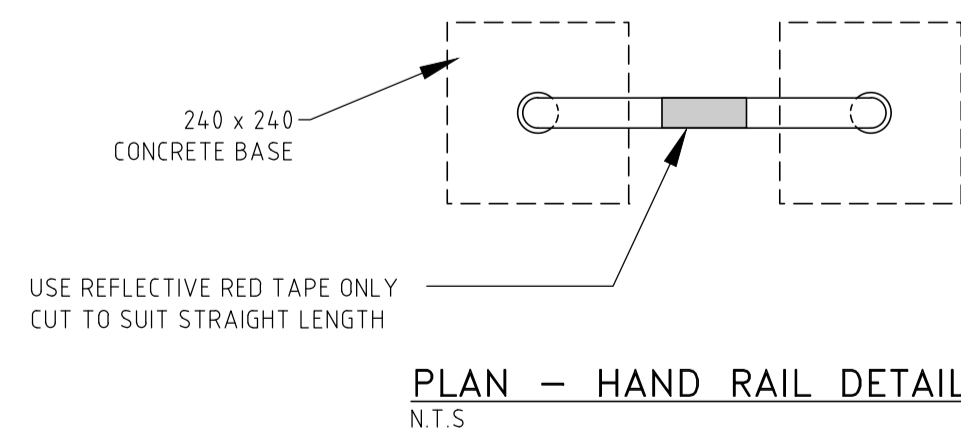
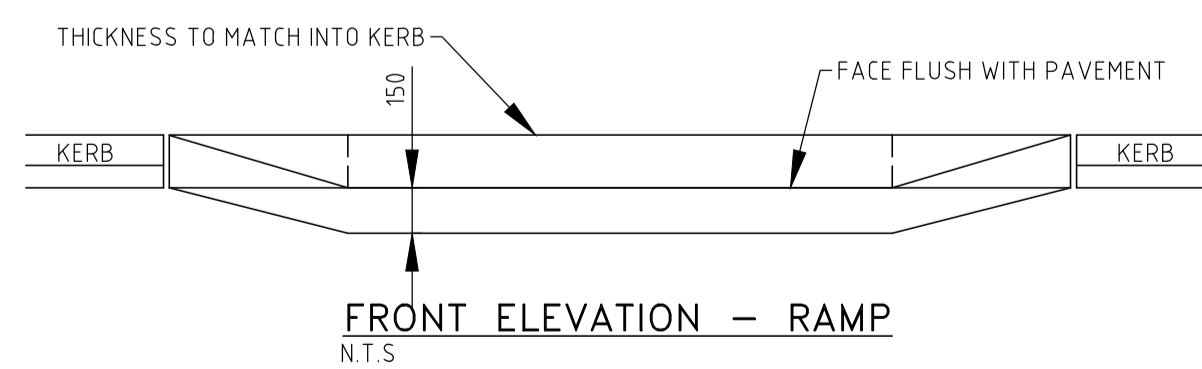


NOTE:
RAMP TO BE PLACED IN LINE WITH FOOTPATH OR MEDIAN & OPPOSING RAMPS AT 90° TO THE DIRECTION OF TRAVEL.

PLAN - PEDESTRIAN RAMP
N.T.S.



DRAWING NOTES:

- ALL DIMENSIONS IN MILLIMETERS UNLESS NOTED OTHERWISE.
- CONCRETE SHALL BE 25 MPa COMPRESSIVE STRENGTH AT 28 DAYS FROM AN APPROVED PRE-MIX BATCH PLANT / MAXIMUM AGGREGATE SIZE 20mm AND MAXIMUM SLUMP OF 100mm.
- BEDDING TO BE MIN 100mm THICK SAND.
- FOUNDATIONS TO BE COMPACTED TO 95% MODIFIED DRY DENSITY.
- EXPANSION JOINTS ARE TO BE 10mm CANITE BACKING MATERIAL SEALED WITH BUTYL MASTIC COMPOUND FILLER OR EQUIVALENT.
- SURFACE TO BE BROOM FINISH, NON SLIP, PARALLEL TO KERBLINE - 2mm DEEP.
- TACTILE GROUND SURFACE INDICATORS PROVIDED SHALL COMPLY WITH AS/NZ 1428.
- ALL PRAM RAMPS AND PEDESTRIAN MEDIAN BREAKS TO HAVE TACTILE GROUND SURFACE INDICATORS INSTALLED (TYP.)
- ACCEPTED TACTILE PAVING SYSTEMS LOCATED IN CONCRETE OR ON ASPHALT SURFACES INCLUDE:
 - FIBRE REINFORCED POLYMER CAST IN PLACE OR APPLIED TO THE SURFACE WITH MECHANICAL AND ADHESIVE FIXINGS AS SUPPLIED BY ACCESS TILE OR GUARDIAN TACTILE SYSTEMS.
- ACCEPTED TACTILE PAVING SYSTEMS LOCATED WITHIN BRICK PAVING INCLUDE:
 - CONCRETE TILE INSERTS.
- TACTILE COLOURS ARE TO BE AS FOLLOWS:
 - BLACK IF LOCATED WITHIN PRAM RAMPS OR ON CONCRETE SURFACES.
 - CREAM IF LOCATED ON ASPHALT SURFACES.
 - CONTRASTING COLOUR IF LOCATED WITHIN BRICK PAVED SURFACES.
- HANDRAIL TO BE PLACED ON LEFT-HAND SIDE WHEN FACING DIRECTION OF TRAVEL.

REV	DATE	DESCRIPTION	DRAWN
G	06/19	REVIEW COMPLETED & DRAFTING AMENDMENTS MADE	J.M
F	06/18	FURTHER TACTILE SURFACE INDICATOR NOTES & TACTILES IN MEDIAN CUT OUTS ADDED	J.M
E	05/17	HAND RAIL ADDED & RAMP ON STRAIGHT, RADIUS, END OF PATH & LANEWAY ADDED	J.M
D	06/16	TACTILE SURFACE INDICATOR NOTES AMENDED & HAND RAILS REMOVED	J.M
C	09/12	CITY OF KWINANA LOGO ADDED	J.M
B	07/12	TACTILE PAVING DETAILS FOR PRAM RAMPS AMENDED	V.K
A	04/09	ADOPTED BY TOWN OF KWINANA	V.K

DATE	DESCRIPTION	DRAWN
06/19	REVIEW COMPLETED & DRAFTING AMENDMENTS MADE	J.M
06/18	FURTHER TACTILE SURFACE INDICATOR NOTES & TACTILES IN MEDIAN CUT OUTS ADDED	J.M
05/17	HAND RAIL ADDED & RAMP ON STRAIGHT, RADIUS, END OF PATH & LANEWAY ADDED	J.M
06/16	TACTILE SURFACE INDICATOR NOTES AMENDED & HAND RAILS REMOVED	J.M
09/12	CITY OF KWINANA LOGO ADDED	J.M
07/12	TACTILE PAVING DETAILS FOR PRAM RAMPS AMENDED	V.K
04/09	ADOPTED BY TOWN OF KWINANA	V.K



PROJECT:	STANDARD DETAILS PEDESTRIAN RAMP & HAND RAIL
PHONE:	(08) 9439 0200
FAX:	(08) 9439 0222
EMAIL:	admin@kwinana.wa.gov.au
WEB:	http://www.kwinana.wa.gov.au
ADDRESS:	Cnr Gilmore Avenue and Sulphur Road, Kwinana WA 6167

SCALE:	N.T.S (A1)
DESIGN: <td>S.S</td>	S.S
CHECK: <td>R.N</td>	R.N
DRAWN: <td>J.M</td>	J.M
DATE: <td>05/17</td>	05/17
AUTHORISED (MANAGER ENGINEERING SERVICES): <td>R.NAJAFZADEH</td>	R.NAJAFZADEH

DRAWING TITLE:	STANDARD DETAILS PEDESTRIAN RAMP, TACTILES & HAND RAIL
FILE NO:	ENG03
DRAWING NUMBER:	STD-R04
REVISION:	G