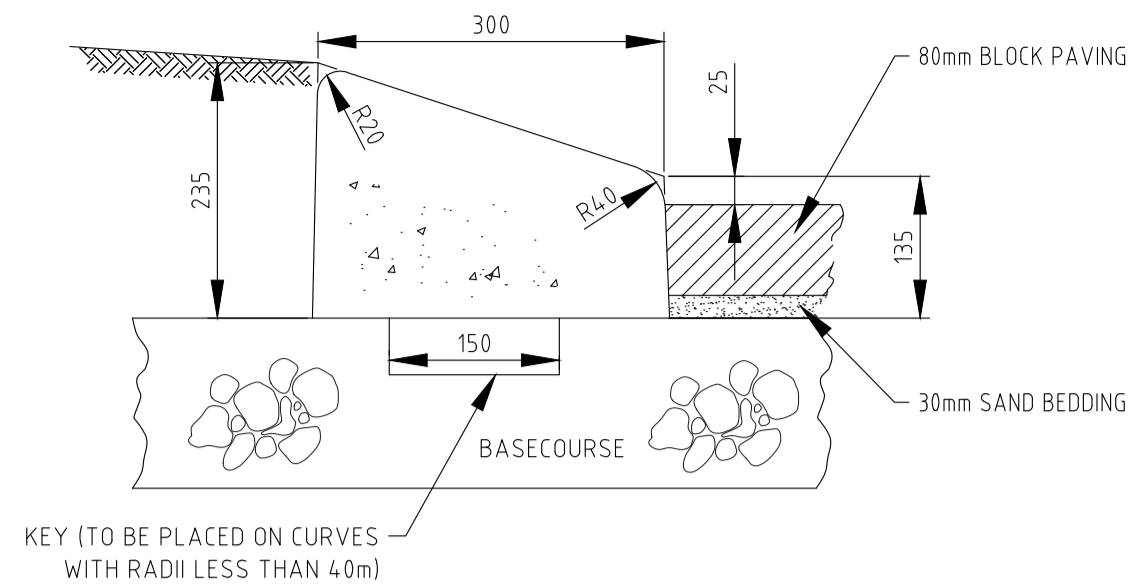
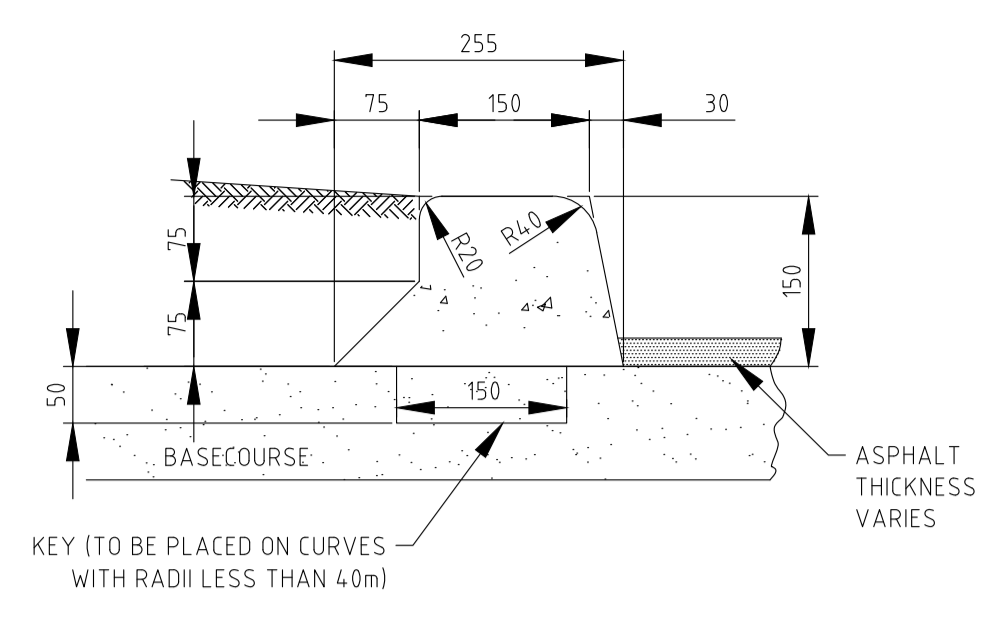


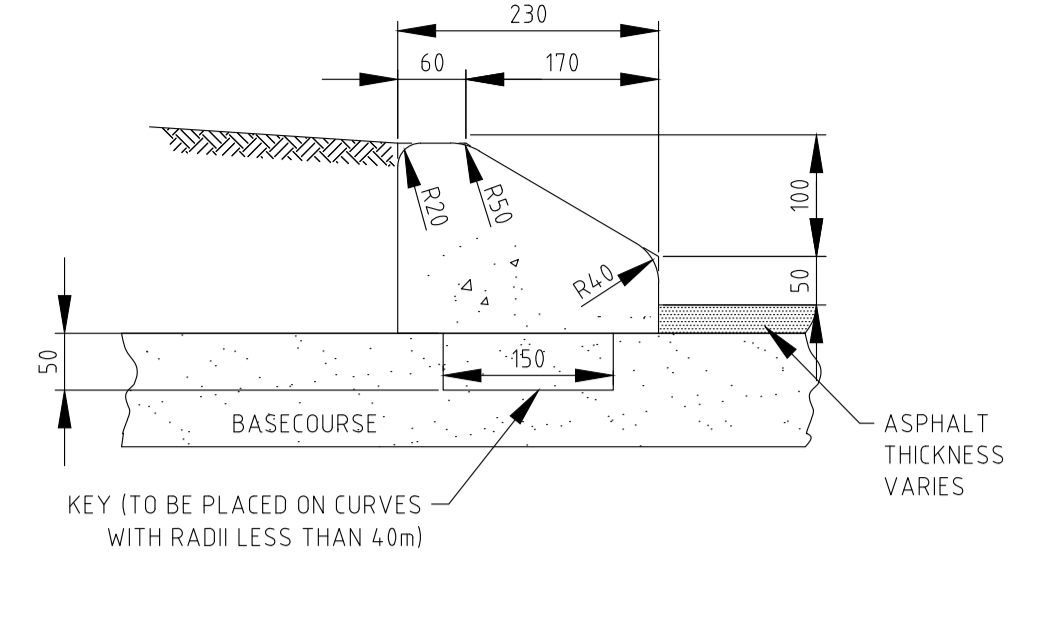
MOUNTABLE KERB
N.T.S



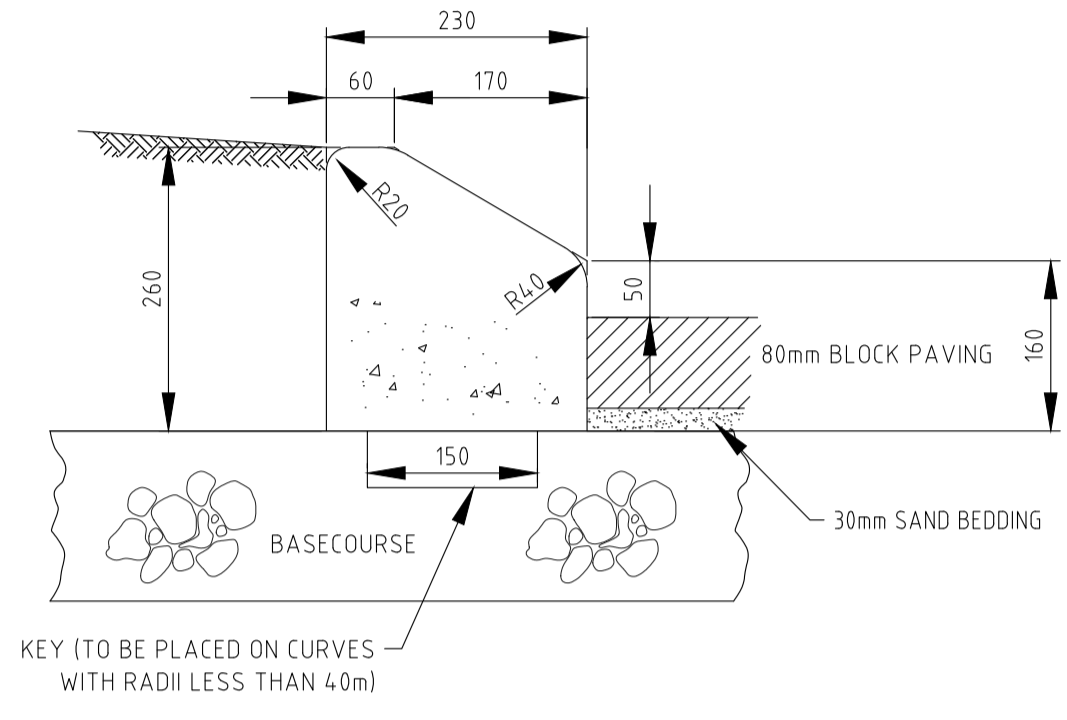
MOUNTABLE KERB FOR BLOCK PAVING
N.T.S



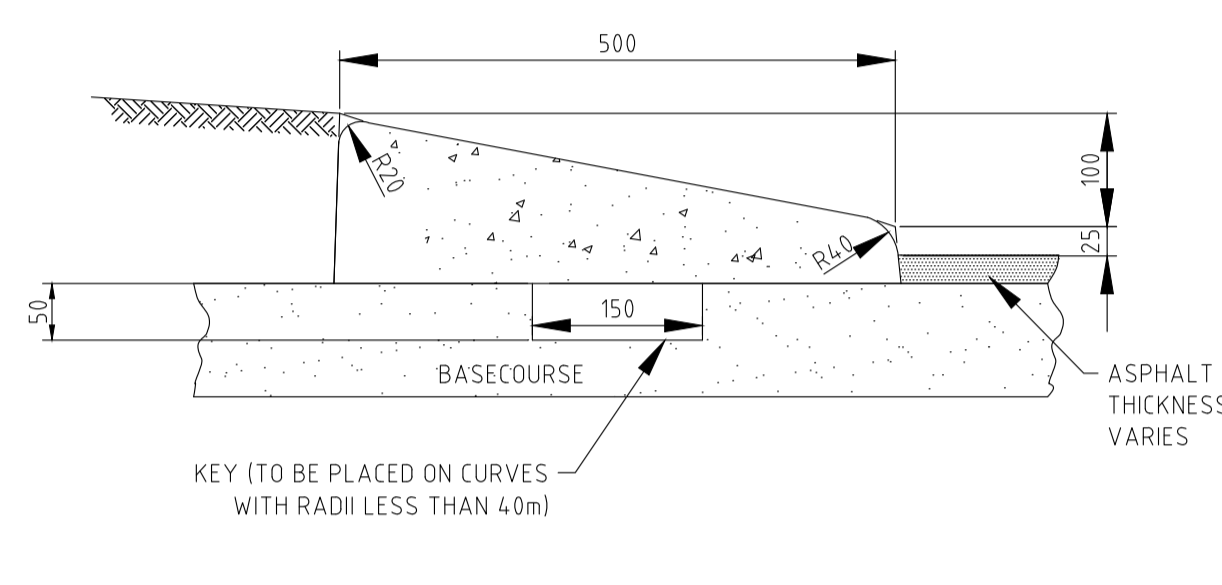
BARRIER KERB
N.T.S



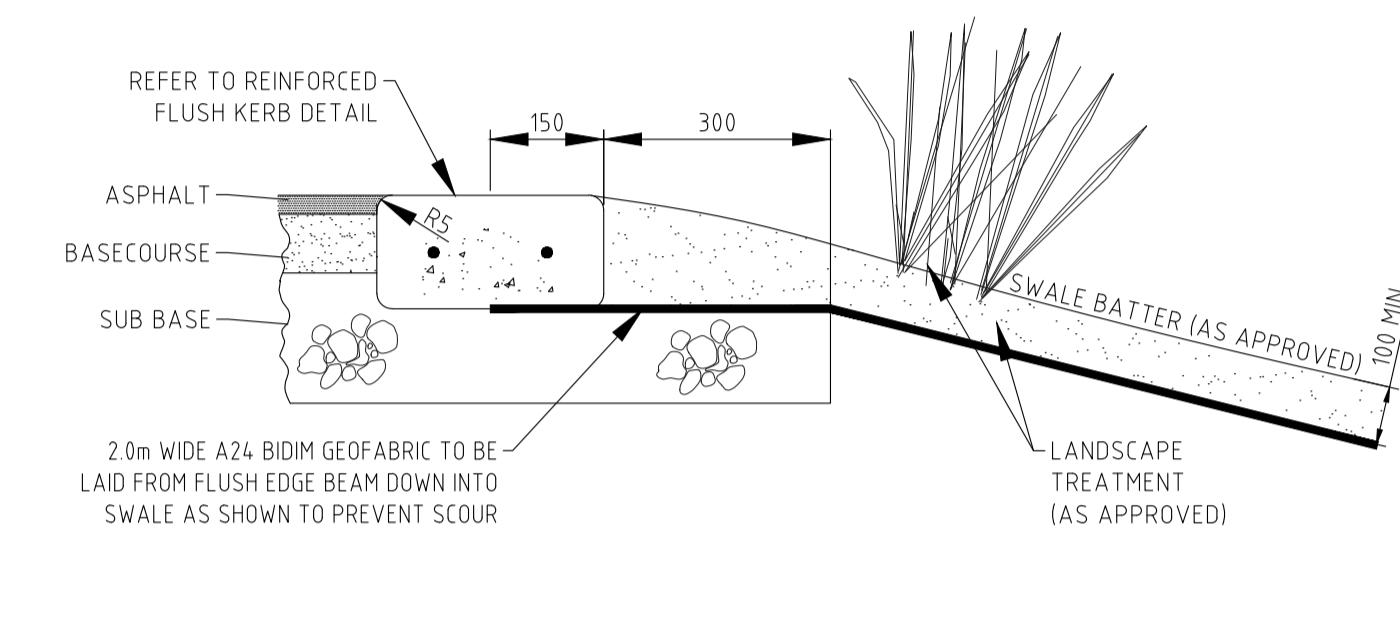
SEMI MOUNTABLE KERB
N.T.S



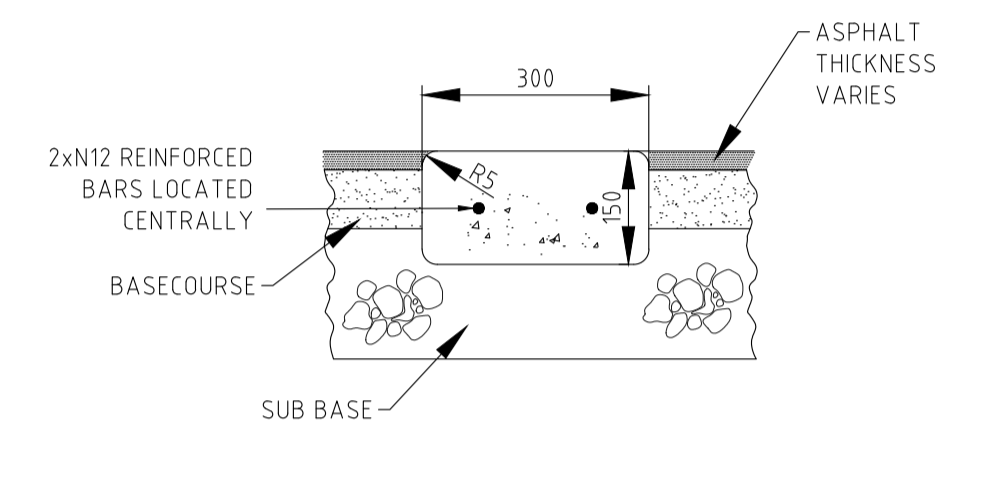
SEMI MOUNTABLE KERB FOR BLOCK PAVING
N.T.S



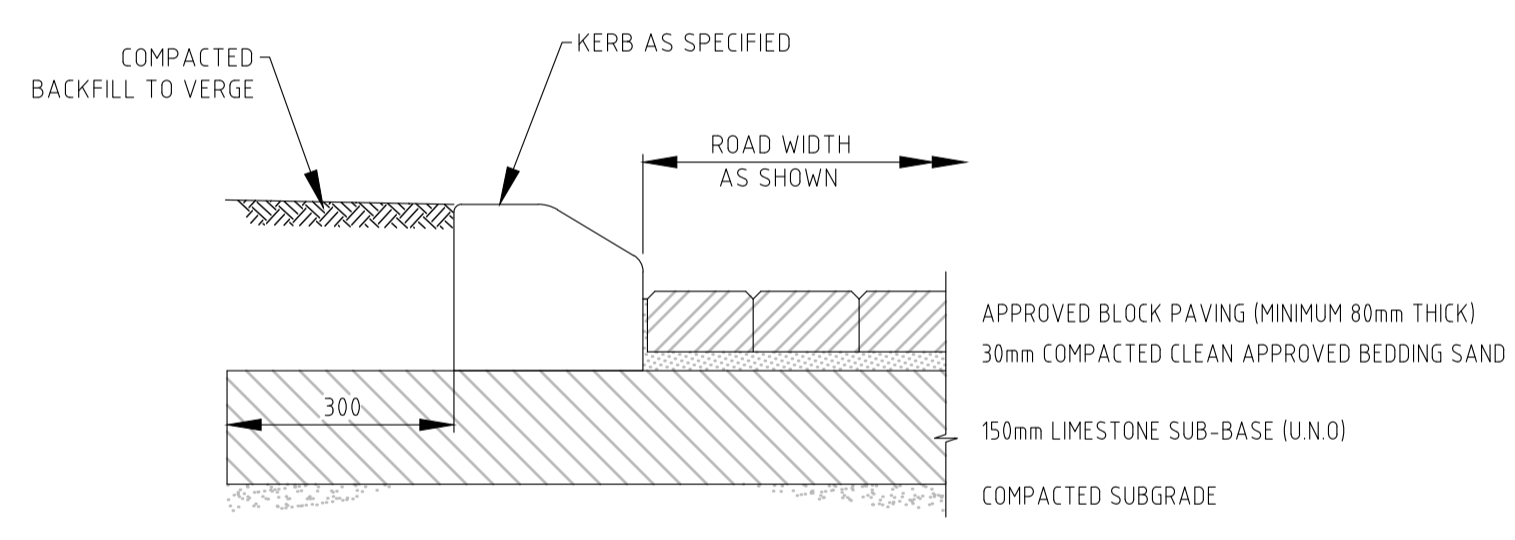
LAYBACK KERB
N.T.S



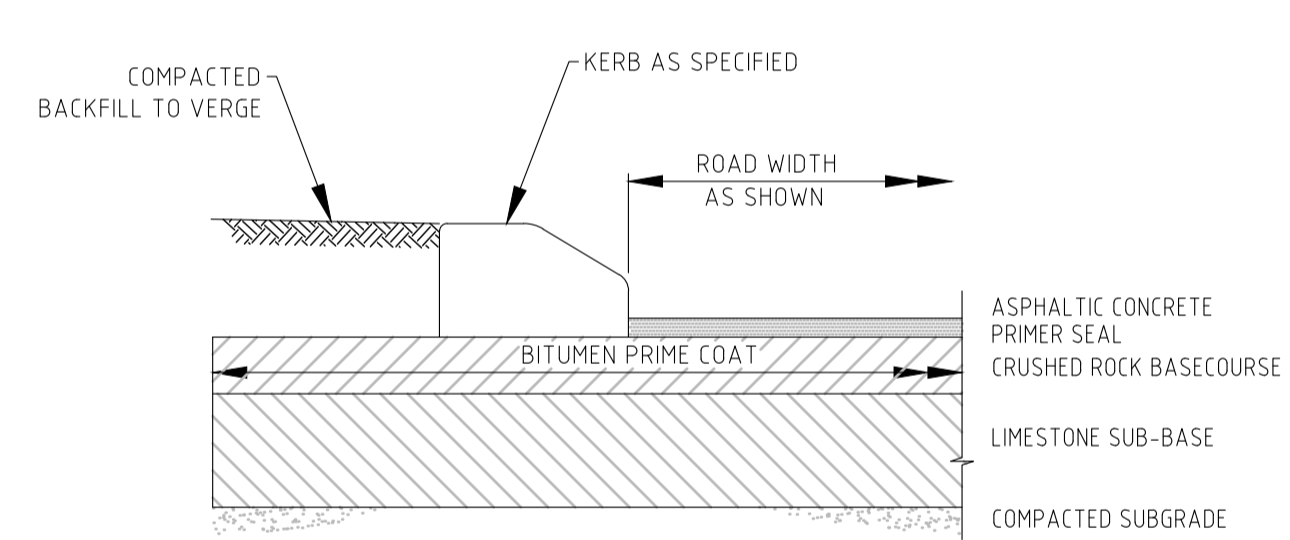
REINFORCED FLUSH KERB - SWALE SCOUR PROTECTION DETAIL
N.T.S



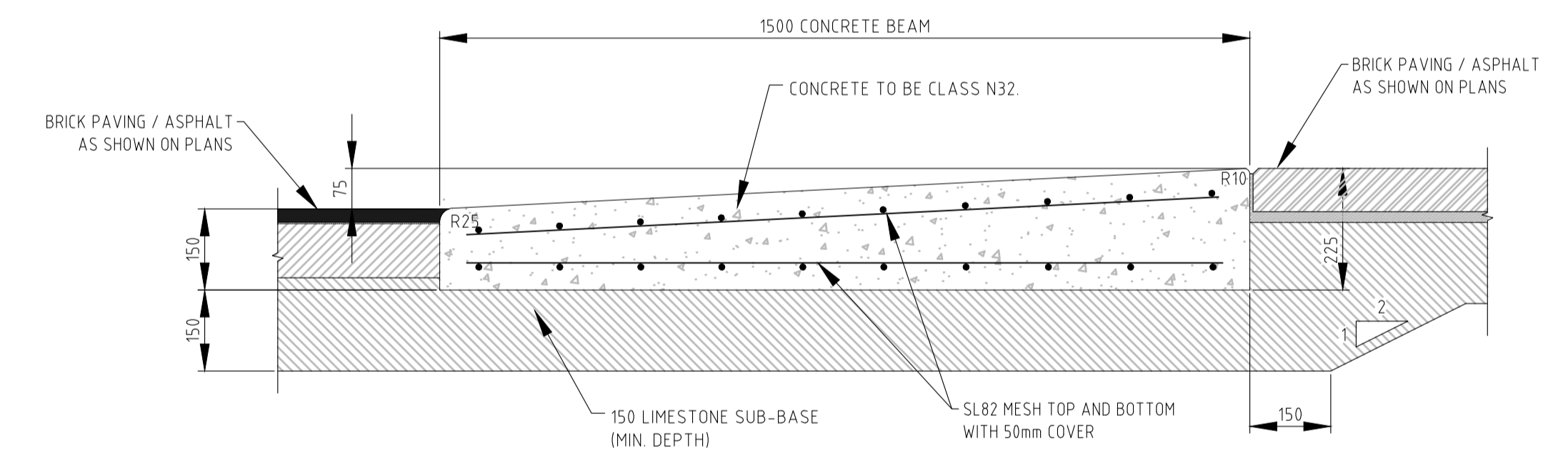
REINFORCED FLUSH KERB
N.T.S



PAVEMENT DETAIL - BRICK PAVING
N.T.S



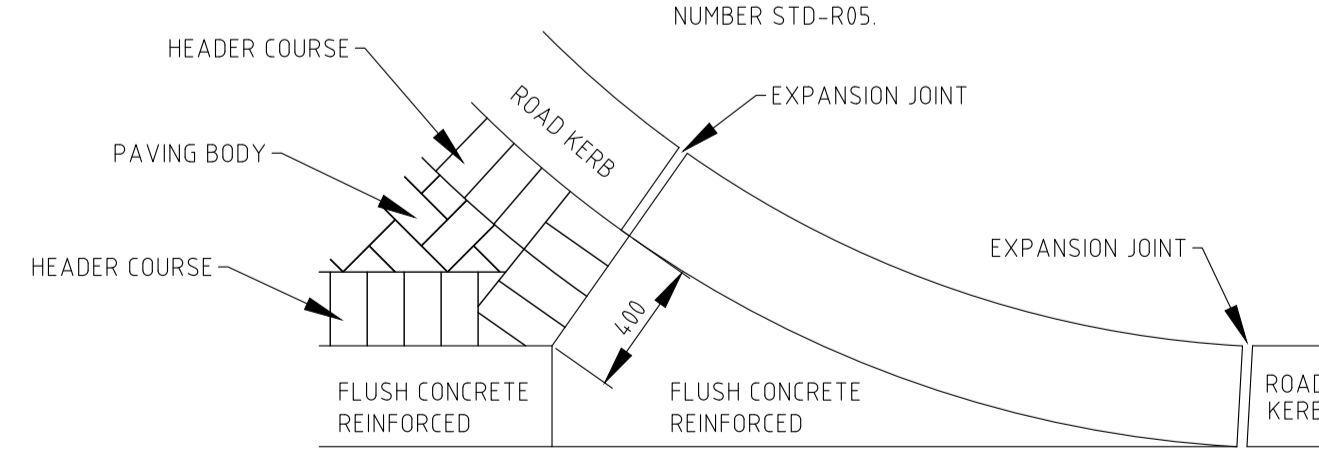
PAVEMENT DETAIL - ASPHALTIC CONCRETE
N.T.S



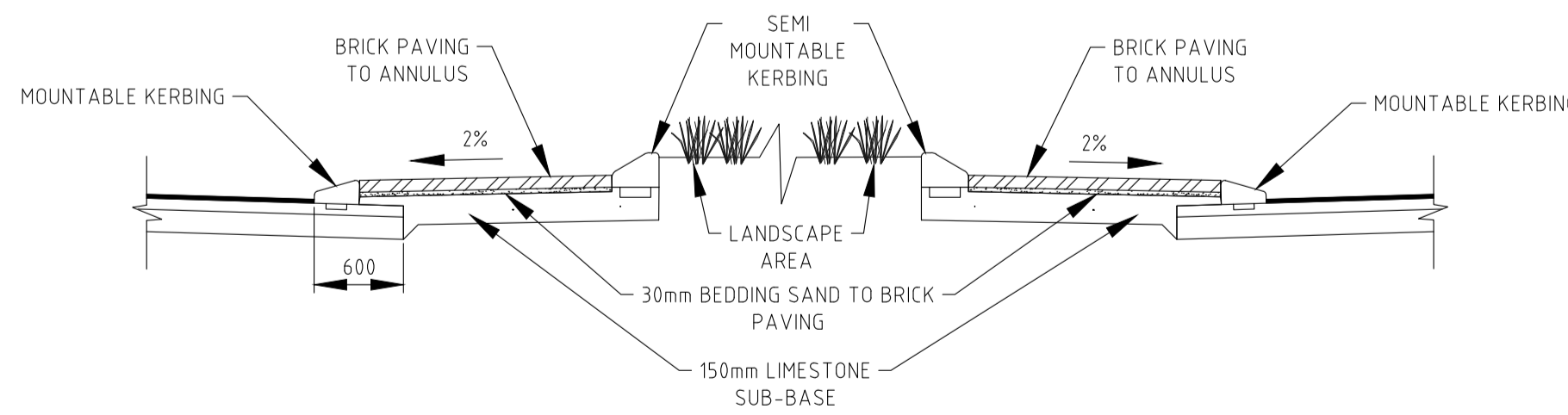
1.5m WIDE REINFORCED FLUSH RAMP - EDGE BEAM (FK3)
N.T.S

NOTES:

- 1) FLUSH KERB, CONCRETE & ROAD KERB TO BE CAST MONOLITHICALLY.
- 2) FOR EXPANSION & JOINTING DETAILS REFER TO STANDARD DRAWING NUMBER STD-R05.



EYEBROW KERB TRANSITION DETAIL
N.T.S



TYPICAL SECTION THROUGH ROUNDABOUT
N.T.S

KERB NOTES:

1. CONCRETE FOR KERBING SHALL BE CONFORM TO AS 1379.
2. ALL KERBING IS TO INCLUDE POLYPROPYLENE FIBRE MICRO-REINFORCEMENT (MASTERFIBRE 22). THE RECOMMENDED DOSAGE IS 0.9KG PER CUBIC METRE OF CONCRETE ADDED.
3. MINIMUM COMPRESSIVE STRENGTH 32MPa AT 28 DAYS.
4. MAXIMUM AGGREGATE SIZE 10mm.
5. MAXIMUM SLUMP 50mm.
6. ALL KERBS TO BE KEYED(150 x 50mm) ON CURVE RADII LESS THAN 40m.
7. REINFORCEMENT TO BE STRUCTURAL GRADE STEEL COMPLYING WITH AS1302 GRADE 410Y.
8. NEW KERBING TO BE PROTECTED FROM TRAFFIC FOR A MINIMUM OF 7 DAYS AFTER INSTALLATION.
9. REFER TO STANDARD DRAWING NUMBER STD-R05 FOR TYPICAL EXPANSION & JOINTING DETAILS.

REV	DATE	DESCRIPTION	DRAWN
H	01/22	CONCRETE KERBING TO CONTAIN POLYPROPYLENE FIBRE MICRO-REINFORCEMENTS	J.M
G	06/19	REVIEW COMPLETED & DRAFTING AMENDMENTS MADE	J.M
F	03/19	LAYBACK KERB (FOR CROSSOVERS) DETAIL ADDED	J.M
E	07/18	FLUSH KERB WITH SWALE SCOUR PROTECTION DETAIL ADDED	J.M
D	05/17	FLUSH KERB EDGE BEAMS, EYEBROW KERB TRANSITION & PAVEMENTS DETAILS ADDED	J.M
C	06/13	SEMI MOUNTABLE KERB PROFILES AMENDED	J.M
B	09/12	CITY OF KWINANA LOGO ADDED	J.M
A	04/09	ADOPTED BY TOWN OF KWINANA	V.K

ASSOCIATE CONSULTANT:



PROJECT:		STANDARD DETAILS	
EXTRUDED KERBING & PAVEMENT DETAILS		Cnr Gilmore Avenue and Sulphur Road, Kwinana WA 6167	
PHONE:	(08) 9439 0200	ADDRESS:	Cnr Gilmore Avenue and Sulphur Road, Kwinana WA 6167
FAX:	(08) 9439 0222	EMAIL:	admin@kwinana.wa.gov.au
EMAIL:	admin@kwinana.wa.gov.au	WEB:	http://www.kwinana.wa.gov.au
WEB:	http://www.kwinana.wa.gov.au		

SCALE:	
N.T.S (A1)	
DESIGN:	S.S
CHECK:	R.N
DRAWN:	J.M
DATE:	05/17
AUTHORISED (MANAGER ENGINEERING SERVICES)	
R.NAJAFZADEH	

DRAWING TITLE	
STANDARD DETAILS EXTRUDED KERBING & PAVEMENT DETAILS	
FILE NO.:	ENG03
DRAWING NUMBER	STD-R01
REVISION	H